

Adaptors

A range of adaptors for grips, fixtures and load cells

Part Number	Set Screws	Quantity	Rating
3127	Set screw, #10-32M thread 3/16 inch long	Single	500N
3157	Set screw, #10-32M thread 3/4 inch long	Single	500N
NC002686	Set screw, 5/16-18M thread 1 inch long	Single	500N
P-10020	Set screw, 5/16-18M thread 11/16 inch long	Single	500N
P-10269	Set screw, #10-32M thread 3/4 inch long	Single	500N



Part Number	Thread Adaptors	Quantity	Rating
17039	Thread Adaptor, one end #10-32M other end 1/4-28M	Single	500N
NC000686	Thread Adaptor, one end #10-32M other end 5/16-18M	Single	500N
NC000296	Thread Adaptor, one end 1/4-28M other end 5/16-18M	Single	500N
17162	Thread Adaptor, one end 1/2-20M other end 5/16-18M	Single	500N



Part Number	Thread Couplers	Quantity	Rating
1760	Threaded Coupler, one end #10-32F other end #10-32F	Single	500N
17057	Threaded Coupler, one end #10-32F other end 1/4-20F	Single	500N
17056	Threaded Coupler, one end 1/4-20F other end 5/16-18F	Single	500N
13048	Threaded Coupler, one end 1/4-28F other end 5/16-18F	Single	500N

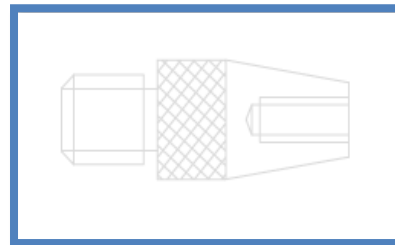
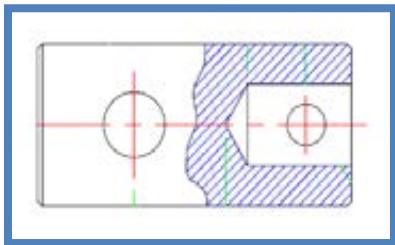


Part Number	5/8 inch Eye End Adaptors	Quantity	Rating
SPK-EYE-1032F	5/8 inch Eye End with #10-32F thread in one end	Single	10kN
ADT/0115/00	5/8 inch Eye End with 5/16-18F thread in one end	Single	10kN
SPK-EYE-1032M	5/8 inch Eye End with #10-32M stud in one end	Single	10kN
SPK-EYE-2528M	5/8 inch Eye End with 1/4-28M stud in one end	Single	10kN
SPK-AFG-1032F	5/8 inch socket with #10-32F thread in one end	Single	10kN
SPK-SFG-2520F	5/8 inch socket with 1/4-20F thread in one end	Single	10kN
SPK-AFG-2528F	5/8 inch socket with 1/4-28F thread in one end	Single	10kN

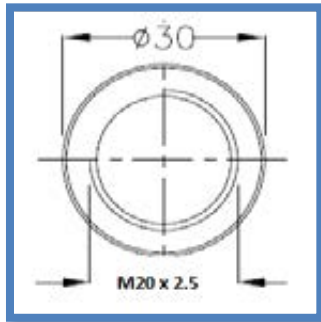


Part Number	Grip Pins	Quantity	Rating
NC000612	Grip Pin for 5/8 inch eye ends	Single	10kN
PIT/0169/00	Grip Pin for 5/8 inch eye ends	Single	10kN
PIN/0061/00	Grip Pin for 1-1/4 inch eye ends	Single	150kN
PIN/0343/00	Grip Pin for 50mm inch eye ends	Single	300kN

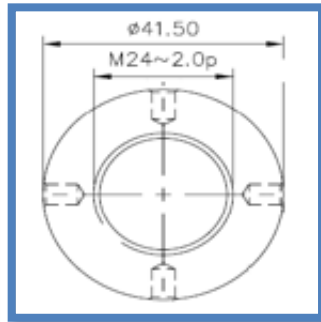
Part Number	Eye End Adaptors	Quantity	Rating
ADT/0030/00	Eye end enlarger, increases 5/8 inch eye end to 1-1/4 inch. Requires 1 PIN/0061/00 per adaptor	Single	20kN
ADT/0275/00	Food probe adaptor, M12M to M6F, allows food probes to be fitted to 1, 2.5, 5 and 10kN load cell's	Single	10kN



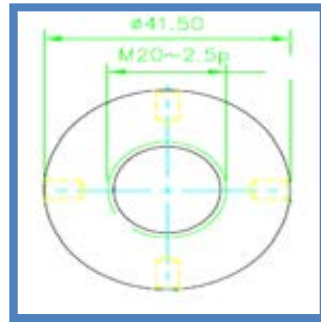
Part Number	Locking Rings	Quantity	Rating
NTT/0139/00	Locking ring for eye ends, 30mm OD, M20 x 2.5 ID, used on 500N load cells down to 5N Load cell	Single	500N
NTT/0151/00	Locking ring for eye ends, mm 41.5mm OD, M24 x 2.0 ID, used on 1kN to 10kN and 100kN XLC load cells	Single	100kN
NTT/0150/00	Locking ring for eye ends, mm 41.5mm OD, M24 x 2.5 ID, used on 20kN to 50kN XLC load cells	Single	50kN
NTT/0144/00	Locking ring for eye ends, mm 70mm OD, M36 x 2.0 ID, used on LR100K Plus AND LR150K Plus	Single	150kN
NTT/0151/00	Also used on LF Plus, LRX Plus, EZ20, LR30K Plus, EZ50, LR50K Plus and LS100K Plus anchor pin	Single	100kN



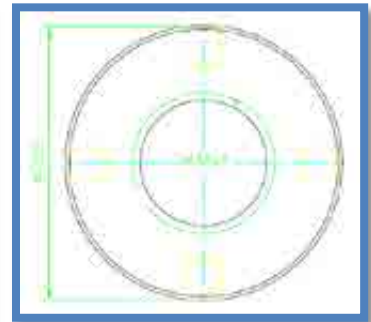
NTT/0139/00



NTT/0151/00



NTT/0150/00



NTT/0144/00

Part Number	Loadcell Eye Ends	Quantity	Rating
EET/0088/00	5/8 inch eye end for 5N to 500N XLC load cells	Single	10kN
PIN/0322/00	5/8 inch eye end for 1kN to 10kN XLC load cells	Single	10kN
ADT/0153/00	5/8 inch eye end for 20kN to 50kN XLC load cells	Single	10kN
ADT/0246/00	5/8 inch eye end for 100kN XLC load cells	Single	10kN
ADT/0118/00	5/8 inch eye end for 100kN HLC load cells, used on LR100K and LR150K Plus	Single	10kN
ADT/0152/00	1-1/4 inch eye end for 20kN to 50kN XLC load cells	Single	10kN
ADT/0244/00	1-1/4 inch eye end for 100kN XLC load cells	Single	150kN
ADT/0117/00	1-1/4 inch eye end for 100kN HLC load cells, used on LR100K Plus AND LR150k Plus	Single	150kN

Part Number	Machine Anchor Pins	Quantity	Rating
PIN/0322/00	5/8 inch used on LF Plus, LRX Plus, LR5K Plus and LR10K Plus	Single	10kN
PIN/0257/00	5/8 inch anchor pin for EZ20, LR30K Plus, EZ50, LR50K Plus	Single	10kN
PIN/0258/00	1-1/4 inch anchor pin for EZ20, LR30K Plus, EZ50, LR50K Plus	Single	150kN
PIN/0412/00	1-1/4 inch anchor pin for LS100K Plus	Single	150kN
PIN/0415/00	5/8 inch anchor pin for LS100K Plus	Single	150kN
ADT/0117/00	1-1/4 inch eye end for 100kN HLC load cells, used on LR100K Plus and LR150k Plus	Single	150kN

Part Number	Crosshead Fixing Bolts	Quantity	Rating
70108412025	M12 x 25mm for LF Plus and LRX Plus	Single	5kN
ADT/0148/00	M12 x 1.75P for LR5K Plus and LR10K Plus	Single	10kN
ADT/0150/00	M12 x 1.75P for LR30K Plus, LR50K Plus, EZ50	Single	50kN
ADT/0151/00	M20 x 2.5P for LR30K Plus, LR50K Plus, EZ50	Single	50kN
ADT/0258/00	M24 x 2.0P for LS100K Plus	Single	100kN

Part Number	C-Spanners	Quantity	Rating
SPT/0244/00	70mm C-Spanner for 100kN and 150kN HLC locking rings	Single	N/A
SPT/0243/00	42mm C-Spanner for 1kN to 100kN XLC locking rings	Single	N/A

Part Number	Pogo Extension Rods	Quantity	Rating
01/3720/05	500mm long pogo rod for connection to 5/8 inch eye ends	Single	10kN
01/3720/06	600mm long pogo rod for connection to 5/8 inch eye ends	Single	10kN
01/3720/07	700mm long pogo rod for connection to 5/8 inch eye ends	Single	10kN
01/3720/08	800mm long pogo rod for connection to 5/8 inch eye ends	Single	10kN
01/3720/09	900mm long pogo rod for connection to 5/8 inch eye ends	Single	10kN
01/3720/10	1000mm long pogo rod for connection to 5/8 inch eye ends	Single	10kN

High Force Bending Jigs

A range of steel high force bending jigs with ranges of span up to 1200mm with reversible supports, suitable for bending applications on metal, wood, glass, composites and plastics

Material Steel

Temperature range – 0 °C to + 350 °C

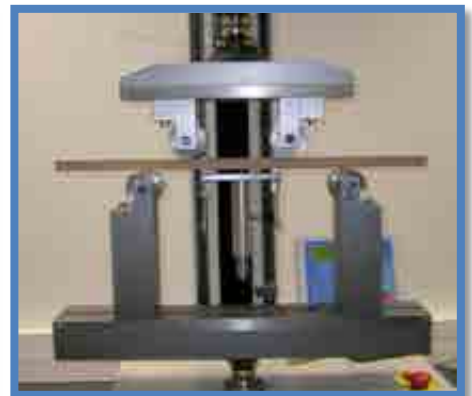
Part Number	Bending Jig	Supports	Rating	Fixing
01/4166	3 point, 30mm – 350mm span 330mm when reversed	Supplied with 10mm, 20mm and 30mm rollers	100kN	1 ¼ inch
01/4167	3 point, 30mm – 500mm span 390mm when reversed	Supplied with 10mm, 20mm and 30mm rollers	100Kn	1 ¼ inch
01/4168	3 point, 30mm – 600mm span 430mm when reversed	Supplied with 10mm, 20mm and 30mm rollers	100kN	1 ¼ inch
01/4169	3 point, 30mm – 700mm span 530mm when reversed	Supplied with 10mm, 20mm and 30mm rollers	100kN	1 ¼ inch
01/4170	3 point, 30mm – 800mm span 630mm when reversed	Supplied with 10mm, 20mm and 30mm rollers	100kN	1 ¼ inch
01/4171	3 point, 30mm – 900mm span 730mm when reversed	Supplied with 10mm, 20mm and 30mm rollers	100kN	1 ¼ inch
01/4172	3 point, 30mm – 1000mm span 830mm when reversed	Supplied with 10mm, 20mm and 30mm rollers	100kN	1 ¼ inch
01/4173	3 point, 30mm – 1100mm span 930mm when reversed	Supplied with 10mm, 20mm and 30mm rollers	100kN	1 ¼ inch
01/4174	3 point, 30mm – 1200mm span 1030mm when reversed	Supplied with 10mm, 20mm and 30mm rollers	100kN	1 ¼ inch



01/4166



01/4177



CS Version

Accessories

Part Number	Description
01/4177	4 point fixture for 240mm span
01/4180	Additional supports, set of 3, 100mm wide, specify diameter in mm from 8mm to 100mm
01/4181	Additional angular supports, set of 3, 100mm wide, specify the radii 0.5mm to 50mm
01/4182	30mm diameter supports, 160mm wide, set of 3
01/4183	30mm diameter supports, 300mm wide, set of 3

Low Force Bending Jigs

These low force bending jigs are made from Aluminium and are supplied with a set of anvils or rollers. Combination anvil and roller sets are also available. Anvil sets are available as reversible sets with different radii on each side

Material Aluminium

Temperature Range – 70 °C to + 180 °C

Upper anvils have single radii (2 on 4 point) and 2 reversible radii for the lower part

Part Number	Bending Jig	Upper Anvil Radii mm Choose one	Lower Anvil 2 x Radii mm Choose one	Rating	Fixing
01/4104	3 point 4mm - 150mm span	R1, R1.5, R2, R3.2, R5	R1.5+R2.5, R2+R3, R3.2+R5	2.5kN	5/8 inch
01/4107	4 point 4mm -150mm span	R1, R1.5, R2, R3.2, R5	R1.5+R2.5, R2+R3, R3.2+R5	2.5kN	5/8 inch

Upper anvil has a single roller (2 on 4 point version) and 2 rollers for the lower part

Part Number	Bending Jig	Upper Roller Ø mm Choose one	Lower Roller Ø mm Choose one	Rating	Fixing
01/4110	3 point 4mm - 150mm span	1,2,3,4,5,6,6.35,8,10,12,12.7	1,2,3,4,5,6,6.35,8,10,12,12.7	2.5kN	5/8 inch
01/4113	4 point 4mm -150mm span	1,2,3,4,5,6,6.35,8,10,12,12.7	1,2,3,4,5,6,6.35,8,10,12,12.7	2.5kN	5/8 inch

Upper anvil has a single articulating roller (2 on 4 point version) and 2 articulating rollers for the lower part

Part Number	Bending Jig	Articulating Upper Roller Ø mm Choose one	Articulating Lower Roller Ø mm Choose one	Rating	Fixing
01/4116	3 point 4mm - 150mm span	1,2,3,4,5,6,6.35,8,10,12,12.7	1,2,3,4,5,6,6.35,8,10,12,12.7	2.5kN	5/8 inch
01/4119	4 point 4mm -150mm span	1,2,3,4,5,6,6.35,8,10,12,12.7	1,2,3,4,5,6,6.35,8,10,12,12.7	2.5kN	5/8 inch



01/4104



01/4110



01/4116



01/4113



01/4107

Low Force Bending Jigs

These low force bending jigs are made from steel and are supplied with a set of anvils or rollers. Combination anvil and roller sets are also available. Anvil sets are available as reversible sets with different radii on each side

Material Steel

Temperature Range – 70 °C to + 180 °C

Upper anvils have single radii (2 on 4 point) and 2 reversible radii for the lower part

Part Number	Bending Jig	Upper Anvil Radii mm Choose one	Lower Anvil 2 x Radii mm Choose one	Rating	Fixing
01/4105	3 point 4mm - 150mm span	R1, R1.5, R2, R3.2, R5	R1.5+R2.5, R2+R3, R3.2+R5	10kN	5/8 inch
01/4108	4 point 4mm -150mm span	R1, R1.5, R2, R3.2, R5	R1.5+R2.5, R2+R3, R3.2+R5	10kN	5/8 inch
01/4106	3 point 4mm - 300mm span	R1, R1.5, R2, R3.2, R5	R1.5+R2.5, R2+R3, R3.2+R5	10kN	5/8 inch
01/4109	4 point 4mm -300mm span	R1, R1.5, R2, R3.2, R5	R1.5+R2.5, R2+R3, R3.2+R5	10kN	5/8 inch

Upper anvil has a single roller (2 on 4 point version) and 2 rollers for the lower part

Part Number	Bending Jig	Upper Roller Ø mm Choose one	Lower Roller Ø mm Choose one	Rating	Fixing
01/4111	3 point 4mm - 150mm span	1,2,3,4,5,6,6.35,8,10,12,12.7	1,2,3,4,5,6,6.35,8,10,12,12.7	10kN	5/8 inch
01/4114	4 point 4mm -150mm span	1,2,3,4,5,6,6.35,8,10,12,12.7	1,2,3,4,5,6,6.35,8,10,12,12.7	10kN	5/8 inch
01/4112	3 point 4mm - 300mm span	1,2,3,4,5,6,6.35,8,10,12,12.7	1,2,3,4,5,6,6.35,8,10,12,12.7	10kN	5/8 inch
01/4115	4 point 4mm -300mm span	1,2,3,4,5,6,6.35,8,10,12,12.7	1,2,3,4,5,6,6.35,8,10,12,12.7	10kN	5/8 inch

Upper anvil has a single articulating roller (2 on 4 point version) and 2 articulating rollers for the lower part

Part Number	Bending Jig	Articulating Upper Roller Ø mm Choose one	Articulating Lower Roller Ø mm Choose one	Rating	Fixing
01/4117	3 point 4mm - 150mm span	1,2,3,4,5,6,6.35,8,10,12,12.7	1,2,3,4,5,6,6.35,8,10,12,12.7	10kN	5/8 inch
01/4120	4 point 4mm -150mm span	1,2,3,4,5,6,6.35,8,10,12,12.7	1,2,3,4,5,6,6.35,8,10,12,12.7	10kN	5/8 inch
01/4118	3 point 4mm - 300mm span	1,2,3,4,5,6,6.35,8,10,12,12.7	1,2,3,4,5,6,6.35,8,10,12,12.7	10kN	5/8 inch
01/4121	4 point 4mm -300mm span	1,2,3,4,5,6,6.35,8,10,12,12.7	1,2,3,4,5,6,6.35,8,10,12,12.7	10kN	5/8 inch



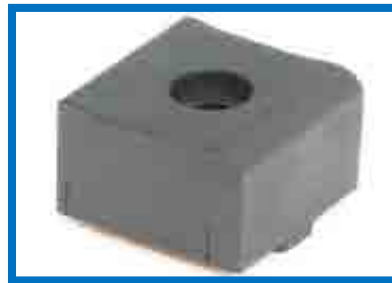
01/4142

Accessories

Part Number	Description
01/4122	Set of 2 anvils for lower support 3 point or upper support 4 point , anvil has 2 radii 1.5mm + 2.5mm
01/4123	Set of 2 anvils for lower support 3 point or upper support 4 point , anvil has 2 radii 2mm + 3mm
01/4124	Set of 2 anvils for lower support 3 point or upper support 4 point , anvil has 2 radii 2mm + 5mm
01/4125	Set of 2 anvils for lower support 3 point or upper support 4 point , anvil has 2 radii 3.2mm + 5mm
01/4126	Set of 2 anvils for lower support 3 point or upper support 4 point , anvil has 2 radii 4mm + 5mm
01/4127	Set of 2 anvils for lower support 3 point or upper support 4 point , anvil has single radii 0.5mm
01/4128	Set of 2 anvils for lower support 3 point or upper support 4 point , anvil has single radii 1mm
01/4129	Set of 2 anvils for lower support 3 point or upper support 4 point , anvil has single radii 2mm
01/4130	Set of 2 anvils for lower support 3 point or upper support 4 point , anvil has single radii 3.2mm
01/4131	Set of 2 anvils for lower support 3 point or upper support 4 point , anvil has single radii 5mm
01/4132	Set of 2 anvils for lower support 3 point or upper support 4 point , anvil has single radii 10mm
01/4133	Single anvil for the upper support of 3 point jig, 1mm
01/4134	Single anvil for the upper support of 3 point jig, 1.5mm
01/4135	Single anvil for the upper support of 3 point jig, 2mm
01/4136	Single anvil for the upper support of 3 point jig, 3.2mm
01/4137	Single anvil for the upper support of 3 point jig, 5mm
01/4138	V anvil for upper support for 1mm to 3.2mm rollers
01/4139	V anvil for upper support for 4mm to 12.7mm rollers
01/4140	Roller sets for 3 point jig 1mm, 2mm, 3mm, 4mm, 5mm, 6mm, 6.35mm, 8mm, 10mm, 12mm, 12,7mm
01/4141	Roller sets for 4 point jig 1mm, 2mm, 3mm, 4mm, 5mm, 6mm, 6.35mm, 8mm, 10mm, 12mm, 12,7mm
01/4142	10mm diameter roller 100mm wide
01/4143	Upper aluminium fixture to convert 3 point to 4 point
01/4144	Upper steel fixture to convert 3 point to 4 point



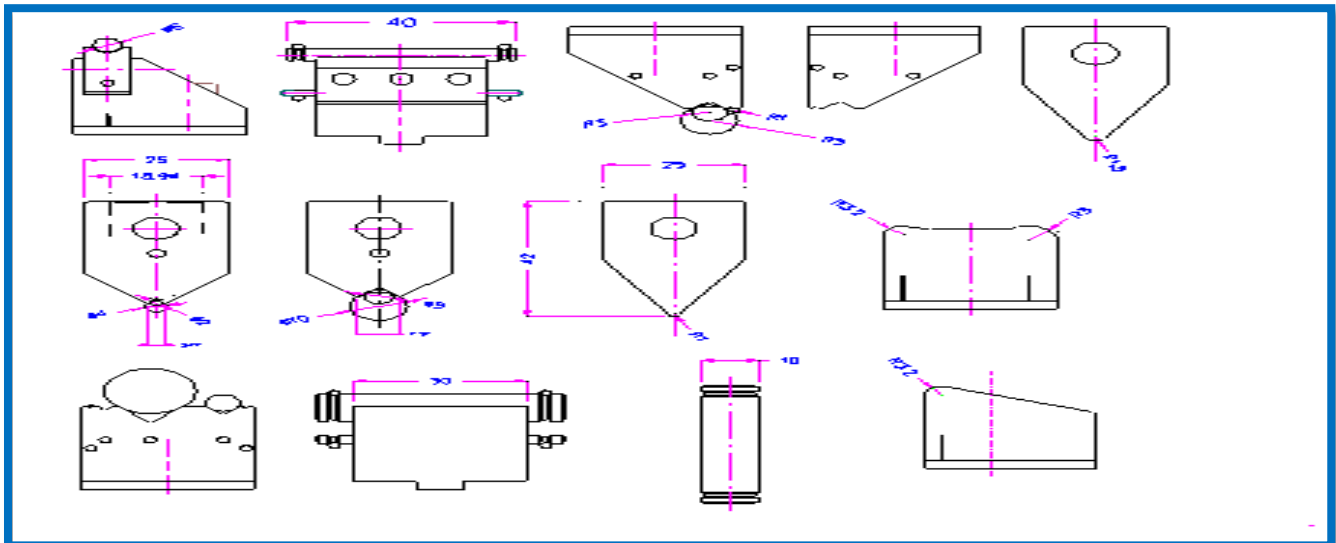
01/4131



01/4122



01/4140



Examples of support blocks, rollers and anvils

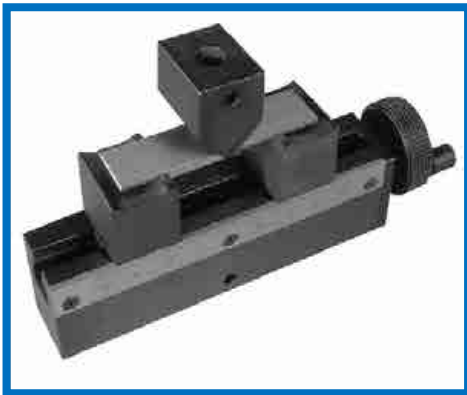
Medium Force Bending Jigs

These medium force bending jigs are adjustable with the hand wheel at the end of the jig, supplied with a choice of lower supports and upper supports.

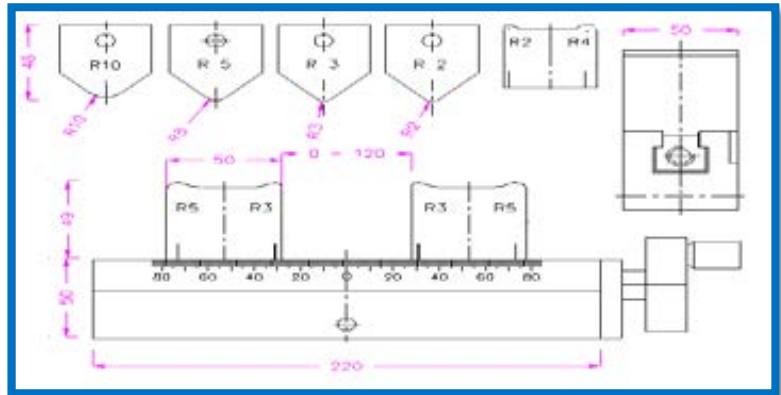
Material Steel

Temperature Range – 70 °C to + 180 °C

Part Number	Bending Jig	Supports	Rating	Fixing
01/4145	3 point, 10mm – 100mm span	Lower R2+ R4 or R3+R5 or R3+R5 Upper R3 or R5	50kN	1 ¼ inch
01/4146	3 point 10mm – 100mm span	R2, R3, R5	50kN	1 ¼ inch
01/4147	4 point 10mm – 100mm span	Lower R2+R4 or R3+5R Upper R2	50kN	1 ¼ inch



01/4145



Material Aluminium

Temperature Range – 70 °C to + 180 °C

Part Number	Bending Jig	Supports	Rating	Fixing
01/4157	3 point, 30mm – 350mm span 330mm when reversed	Supplied with 10mm, 20mm and 30mm rollers	50kN	1 ¼ inch
01/4158	3 point, 30mm – 500mm span 390mm when reversed	Supplied with 10mm, 20mm and 30mm rollers	50kN	1 ¼ inch
01/4159	3 point, 30mm – 600mm span 430mm when reversed	Supplied with 10mm, 20mm and 30mm rollers	50kN	1 ¼ inch
01/4160	3 point, 30mm – 700mm span 530mm when reversed	Supplied with 10mm, 20mm and 30mm rollers	50kN	1 ¼ inch
01/4161	3 point, 30mm – 800mm span 630mm when reversed	Supplied with 10mm, 20mm and 30mm rollers	50kN	1 ¼ inch
01/4162	3 point, 30mm – 900mm span 730mm when reversed	Supplied with 10mm, 20mm and 30mm rollers	50kN	1 ¼ inch
01/4163	3 point, 30mm – 1000mm span 830mm when reversed	Supplied with 10mm, 20mm and 30mm rollers	50kN	1 ¼ inch
01/4164	3 point, 30mm – 1100mm span 930mm when reversed	Supplied with 10mm, 20mm and 30mm rollers	50kN	1 ¼ inch
01/4165	3 point, 30mm – 1200mm span 1030mm when reversed	Supplied with 10mm, 20mm and 30mm rollers	50kN	1 ¼ inch

Accessories

Part Number	Description
01/4148	Lower support with 2mm and 4mm radii
01/4149	Lower support with 3mm and 5mm radii
01/4150	Lower support with 2mm and 5mm radii
01/4151	Custom made lower anvil single radii sold as a pair
01/4152	Upper anvil 5mm radii
01/4153	Upper anvil 3mm radii
01/4154	Custom made upper anvil single radii sold as a single
01/4155	Upper fixture to make in to 4 point
01/4156	Custom made upper anvil single radii sold as a pair for 4 point fixture
01/4175	4 point fixture for 01/4157 to 01/4165, 240mm span
01/4176	4 point fixture for 01/4157 to 01/4165, 500mm span
01/4177	4 Point Upper Fixture for 01/4166 to 01/4174 Length: 240mm
01/4178	Upper Anvil With adapter 15.9mm
01/4179	Upper Anvil With adapter 3.18mm
01/4180	Additional supports, set of 3, 100mm wide, specify diameter in mm from 8mm to 100mm
01/4181	Additional angular supports, set of 3, 100mm wide, specify the radii 0.5mm to 50mm
01/4182	30mm diameter supports, 160mm wide, set of 3
01/4183	30mm diameter supports, 300mm wide, set of 3



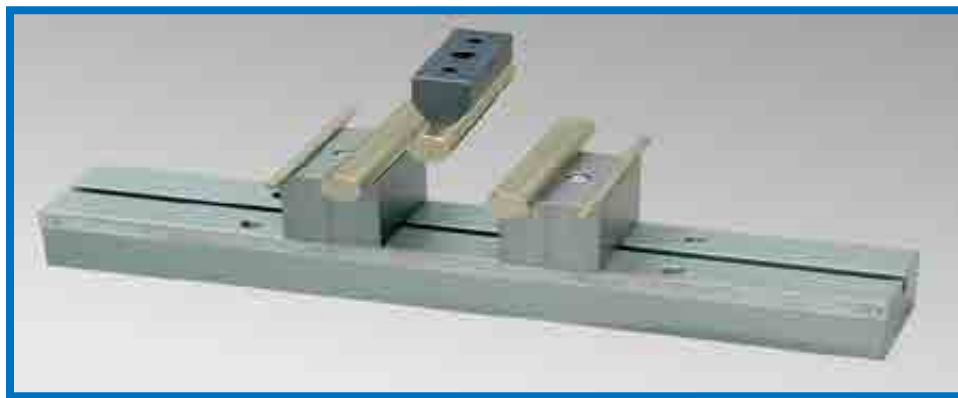
01/4147



01/4157 upper and lower



01/4157 rollers



01/4159

Bollard Grips

The ranges of Bollard grips are suitable for a wide range of samples such as fibre, yarn, thread, rope, string, and strapping tape. The grips are designed so that the sample can be wrapped around the bollard and clamped at one end, this helps reduce the sample suffering a jaw break and spreads the load around the bollard by introducing friction to the sample. Ideally it should be used with an extensometer to calculate true strain in the sample. Pneumatic versions are available

The 01/4617 is designed for thin wires and is best used with the diamond faces

Temperature Range 0 °C to + 70 °C
(Plates with other dimensions available on request)

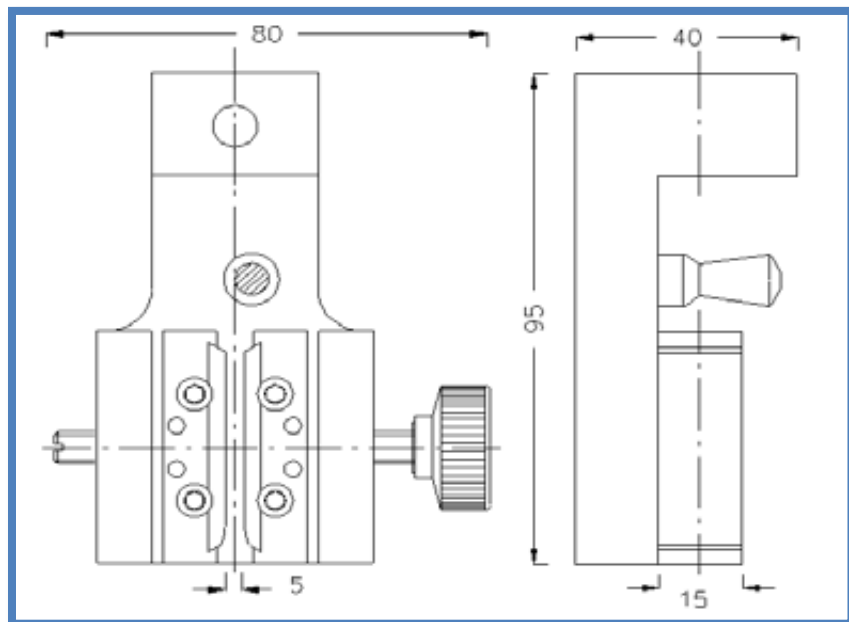
Part Number	Description	Max Sample Width	Sample Diameter	Opening	Rating	Fixing Type
01/4617	Screw action, with carriers but without jaws	15mm	5mm	0-5mm	2.5kN	5/8 inch
01/4618	15mm x 37mm diamond coated jaws	15mm	N/A	N/A	2.5kN	N/A
01/4619	15mm x 37mm plain jaw faces	15mm	N/A	N/A	2.5kN	N/A
01/4625	15mm x 25mm with crosscut faces	15mm	N/A	N/A	2.5kN	N/A



01/4617



01/4625



Bollard Grips

The ranges of Bollard grips are suitable for a wide range of samples such as fibre, yarn, thread, rope, string, and strapping tape. The grips are designed so that the sample can be wrapped around the bollard and clamped at one end, this helps reduce the sample suffering a jaw break and spreads the load around the bollard by introducing friction to the sample. Ideally it should be used with an extensometer to calculate true strain in the sample

*Temperature Range 0 °C to + 70 °C
(Plates with other dimensions available on request)*

Part Number	Description	Max Sample Width	Sample Diameter	Opening	Rating	Fixing Type
01/4620	Screw action with 20mm x 10mm rubber faces	7mm	2mm	0-2mm	1kN	5/8 inch
01/4621	Screw action with 20mm x 10mm diamond faces	7mm	2mm	0-2mm	1kN	5/8 inch
01/4622	Screw action with 30mm x 12mm crosscut faces	8mm	5mm	0-5mm	5kN	5/8 inch
01/4623	Screw action with 30mm x 12mm diamond faces	8mm	5mm	0-5mm	5kN	5/8 inch
01/4624	Screw action with 30mm x 15mm crosscut faces	9mm	9mm	0-9mm	20kN	5/8 inch
01/4625	Screw action with 30mm x 15mm crosscut faces	15mm	5mm	0-5mm	5kN	5/8 inch

Part Number	Bollard Diameter
01/4620	20mm
01/4621	20mm
01/4622	40mm
01/4623	40mm
01/4624	94mm
01/4625	26mm



01/4620



01/4622



01/4624

Bollard Grips

The ranges of Bollard grips are suitable for a wide range of samples such as fibre, yarn, thread, rope, string, and strapping tape. The grips are designed so that the sample can be wrapped around the bollard and clamped at one end, this helps reduce the sample suffering a jaw break and spreads the load around the bollard by introducing friction to the sample. Ideally it should be used with a extensometer to calculate true strain in the sample

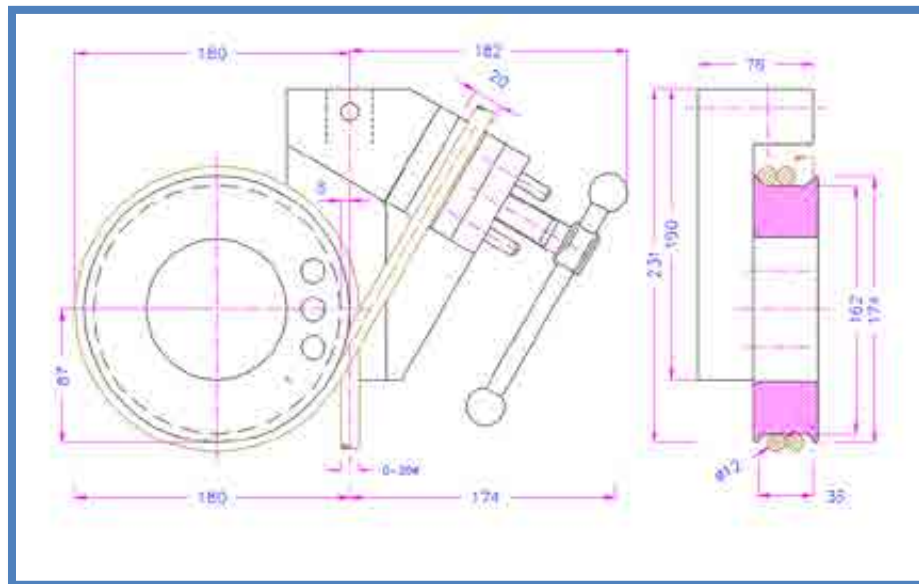
Suitable for heavy duty testing on ropes and ribbons

Temperature Range 0 °C to + 130 °C
(Plates with other dimensions available on request)

Part Number	Description	Max Sample Width	Sample Diameter	Bollard Diameter	Rating	Fixing Type
01/4626	Screw action 70mm x 30mm, crosscut faces	12mm	5-20mm	162mm	50kN	50mm
01/4627	Screw action 70mm x 30mm, crosscut faces	12mm	5-20mm	162mm	100kN	50mm
01/4628	Screw action 70mm x 30mm, crosscut faces	12mm	5-20mm	162mm	200kN	50mm



01/4626



Round Compression Plates

Round compression plates used for general compression testing. Available in aluminium for the testing of soft samples such as cardboard, plastics, rubber, foams, lightweight springs, bottles and cartons.

Available in hardened steel for the testing of rubber, plastics, heavy duty springs, building products, composites, and ceramics.

*Aluminium Plates - Aluminium Anodized
Temperature Range – 70 °C to + 180 °C
(Plates with other dimensions available on request)*

Part Number	Diameter Ø	Maximum Force	Fixing Type
01/4000	56mm	20kN	15.9mm (5/8 inch)
01/4001	96mm	20kN	15.9mm (5/8 inch)
01/4002	116mm	20kN	15.9mm (5/8 inch)
01/4003	156mm	20kN	15.9mm (5/8 inch)
01/4004	56mm	20kN	31.8mm (1 ¼ inch)
01/4005	96mm	20kN	31.8mm (1 ¼ inch)
01/4006	116mm	20kN	31.8mm (1 ¼ inch)
01/4007	156mm	20kN	31.8mm (1 ¼ inch)
01/4008	196mm	20kN	31.8mm (1 ¼ inch)
01/4009	246mm	20kN	31.8mm (1 ¼ inch)
01/4010	296mm	20kN	31.8mm (1 ¼ inch)



Aluminium Compression Plate



Steel Compression Plate

*Steel Plates - Hardened steel 58 HRC, manganese phosphate treated
Temperature range – 0 °C to + 350 °C
Nickel plated – 70 °C to + 350 °C
(Plates with other dimensions available on request)*

Part Number	Diameter Ø	Maximum Force	Fixing Type
01/4011	56mm	20kN	15.9mm (5/8 inch)
01/4012	96mm	20kN	15.9mm (5/8 inch)
01/4013	116mm	20kN	15.9mm (5/8 inch)
01/4014	156mm	20kN	15.9mm (5/8 inch)
01/4015	156mm	100kN	31.8mm (1 ¼ inch)
01/4016	196mm	100kN	31.8mm (1 ¼ inch)
01/4017	56mm	100kN	31.8mm (1 ¼ inch)
01/4018	96mm	100kN	31.8mm (1 ¼ inch)
01/4019	116mm	100kN	31.8mm (1 ¼ inch)
01/4022	246mm	100kN	31.8mm (1 ¼ inch)
01/4023	296mm	100kN	31.8mm (1 ¼ inch)
01/4024	346mm	100kN	31.8mm (1 ¼ inch)

Self Aligning Compression Plates

Self aligning compression plates, the device allows the compression plate to self align relative to the direct of applied force. The adaptor can also be locked in a fixed position if required

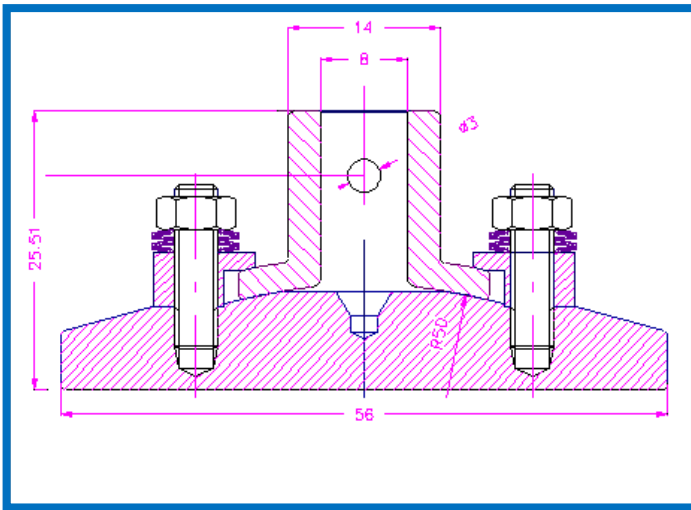
Hardened steel 58 HRC, phosphate coated

Temperature Range 0 °C to + 280 °C

Nickel plated Temperature Range – 70 °C to + 280 °C

(Plates with other dimensions available on request)

Part Number	Dimensions	Maximum Force	Supplied As	Fixing Type
01/4091	56mm Ø	20kN	Single	5/8 inch
01/4092	96mm Ø	20kN	Single	5/8 inch
01/4093	116mm Ø	20kN	Single	5/8 inch
01/4094	156mm Ø	20kN	Single	5/8 inch
01/4095	56mm Ø	100kN	Single	1 ¼ inch
01/3736	156mm Ø	100kN	Single	1 ¼ inch
01/4097	196mm Ø	100kN	Single	1 ¼ inch
01/4098	196mm x 196mm	100kN	Single	1 ¼ inch



Special Compression Devices

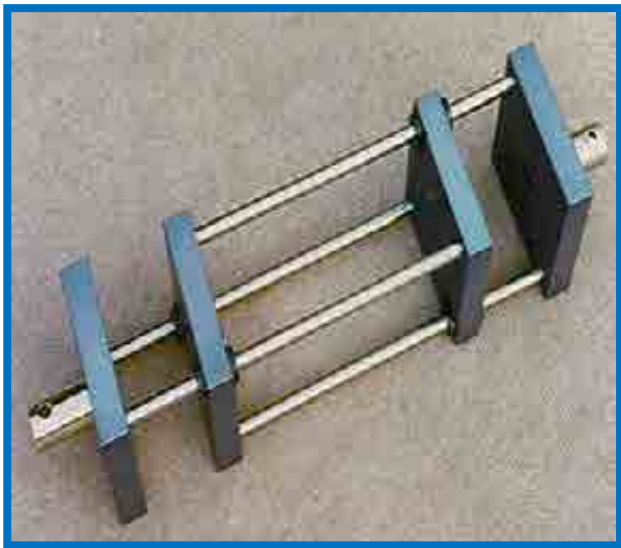
Compression cage used in tension direction, the 01/4099 cage has four bearings on each corner to aid alignment during operation and the 01/4101 and 01/4102 have two bearings. Suitable for general compression testing and Edge Crush Test (ECT) on corrugated cardboard

Aluminium Anodized

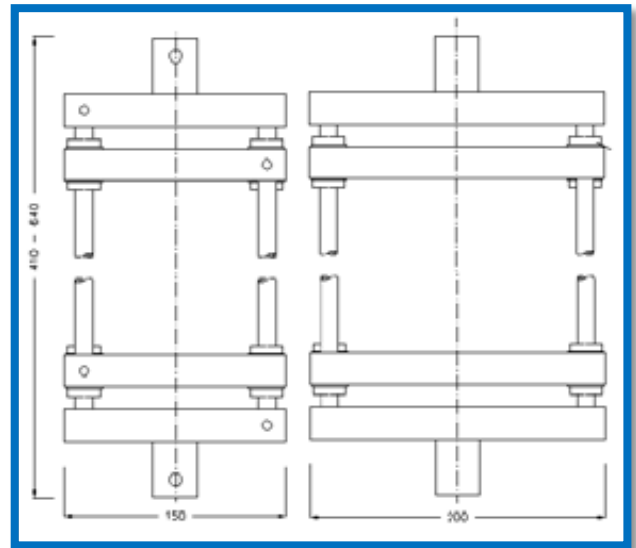
Temperature Range – 70 °C to + 180 °C

(Plates with other dimensions available on request)

Part Number	Dimensions	Maximum Force	Supplied As	Fixing Type
01/4099	150mm x 200mm	10kN	Single	5/8 inch
01/4101	300mm x 380mm	10kN	Single	5/8 inch
01/4102	400mm x 600mm	10kN	Single	5/8 inch



01/4099



01/4101

Special Compression Devices

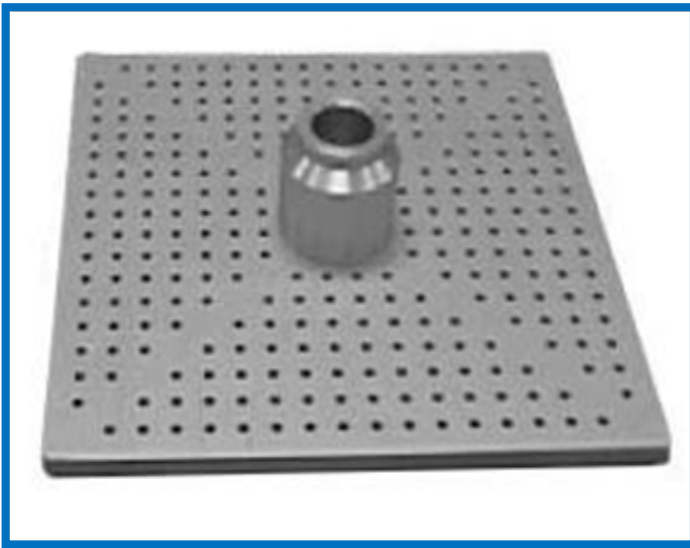
Foam compression jig to ASTM D 3574, top plate round 323cm² bottom plate 390mm x 390mm with 6mm holes spaced at 20mm. Also available on request to ISO3386-1, ISO2439, ASTMD5672

Aluminium Anodized

Temperature Range – 70 °C to + 180 °C

(Plates with other dimensions available on request)

Part Number	Dimensions	Maximum Force	Supplied As	Fixing Type
01/4100	390mm x390mm lower 323cm ² upper	20Kn	Pair	5/8 inch



01/4100

Special Compression Devices

Ball compression fixtures are a range of hardened steel probes that are available with a tip radius in the range 1mm to 50mm, suitable for puncture and penetration tests. Thin film plastics, geotextile membranes, shrink wrap film and stretch wrap films.

May also be used in probing by penetration tests for foods, such as vegetables, fruits, bakery products, meats and fish

Hardened Steel – 58 HRC

Temperature Range – 70 °C to + 180 °C

(Other dimensions available on request)

Part Number	Dimensions	Maximum Force	Supplied As	Fixing Type
01/4103	1mm to 50mm radius	10kN	Single	5/8 inch



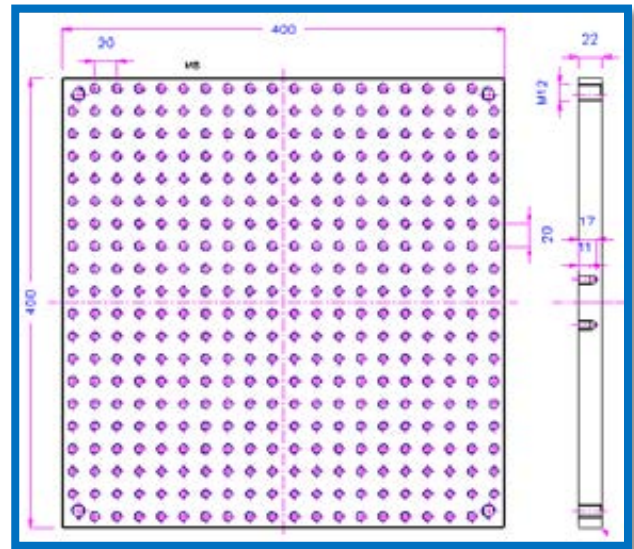
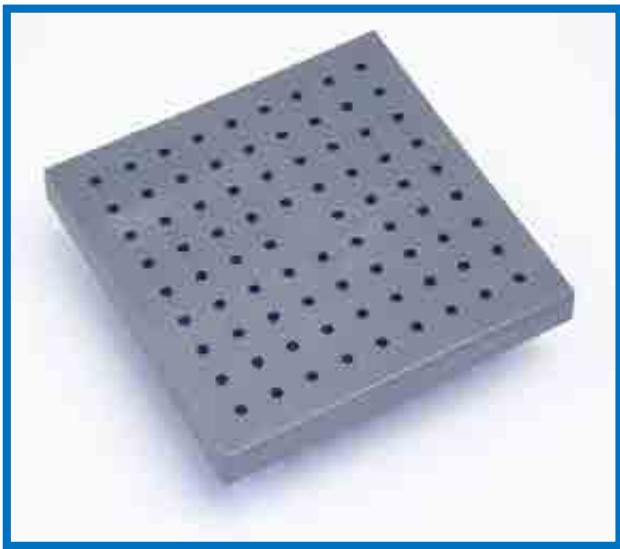
01/4103 selection

Square and Rectangular Compression Plates with Holes

Square and rectangular compression plates with through holes across the entire surface. Required when testing foam samples to allow air to escape the sample during testing, or damp / wet samples when used in conjunction with a drip tray
ISO3386-1, ISO2439, ASTM D3574 and ASTM D5672 are applicable standards for these grips
Plate holes are 6mm diameter equidistantly spaced at 20mm

Aluminium Plates - Aluminium Anodized
Temperature Range 0 °C to + 180 °C
6mm diameter holes 20mm spaced
(Plates with other dimensions available on request)

Part Number	Dimensions	Maximum Force	Supplied As	Fixing Type
01/4067	120mm x 120mm	20kN	Single Plate	5/8 inch
01/4068	150mm x 150mm	20kN	Single Plate	5/8 inch
01/4069	200mm x 200mm	20kN	Single Plate	5/8 inch
01/4070	150mm x 220mm	20kN	Single Plate	5/8 inch
01/4071	400mm x 400mm	20kN	Single Plate	5/8 inch
01/4072	120mm x 120mm	50kN	Single Plate	1 ¼ inch
01/4073	150mm x 150mm	50kN	Single Plate	1 ¼ inch
01/4074	200mm x 200mm	50kN	Single Plate	1 ¼ inch
01/4075	150mm x 220mm	50kN	Single Plate	1 ¼ inch
01/4076	400mm x 400mm	50kN	Single Plate	1 ¼ inch



Square and Rectangular Compression Plates

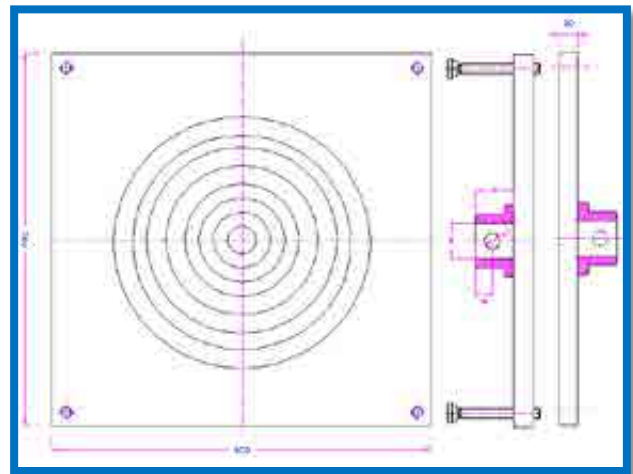
Square and rectangular compression plates used for general compression testing.

Available in aluminium for the testing of soft samples such as cardboard, plastics, rubber, foams, lightweight springs, bottles and cartons.

Available in hardened steel for the testing of rubber, plastics, heavy duty springs, building products, composites, and ceramics.

Aluminium Plates - Aluminium Anodized
Temperature Range – 70 °C to + 180 °C
(Plates with other dimensions available on request)

Part Number	Dimensions	Maximum Force	Supplied As	Fixing Type
01/4025	50mm x 50mm	20kN	Pair of Plates	5/8 inch
01/4026	100mm x 100mm	20kN	Pair of Plates	5/8 inch
01/4027	120mm x 180mm	20kN	Pair of Plates	5/8 inch
01/4028	125mm x 250mm	20kN	Pair of Plates	5/8 inch
01/4029	150mm x 150mm	20kN	Pair of Plates	5/8 inch
01/4030	150mm x 300mm	20kN	Pair of Plates	5/8 inch
01/4031	200mm x 200mm	20kN	Pair of Plates	5/8 inch
01/4032	250mm x 250mm	20kN	Pair of Plates	5/8 inch
01/4033	300mm x 300mm	20kN	Pair of Plates	5/8 inch
01/4034	350mm x 350mm	20kN	Pair of Plates	5/8 inch
01/4035	400mm x 400mm	20kN	Pair of Plates	5/8 inch
01/4036	500mm x 500mm	20kN	Pair of Plates	5/8 inch
01/4037	400mm x 600mm	20kN	Pair of Plates	5/8 inch
01/4038	50mm x 50mm	20kN	Pair of Plates	1 ¼ inch
01/4039	100mm x 100mm	20kN	Pair of Plates	1 ¼ inch
01/4040	120mm x 180mm	20kN	Pair of Plates	1 ¼ inch
01/4041	125mm x 250mm	20kN	Pair of Plates	1 ¼ inch
01/4042	150mm x 150mm	20kN	Pair of Plates	1 ¼ inch
01/4043	150mm x 300mm	20kN	Pair of Plates	1 ¼ inch
01/4044	200mm x 200mm	20kN	Pair of Plates	1 ¼ inch
01/4045	250mm x 250mm	20kN	Pair of Plates	1 ¼ inch
01/4046	300mm x 300mm	20kN	Pair of Plates	1 ¼ inch
01/4047	350mm x 350mm	20kN	Pair of Plates	1 ¼ inch
01/4048	400mm x 400mm	20kN	Pair of Plates	1 ¼ inch
01/4049	500mm x 500mm	20kN	Pair of Plates	1 ¼ inch
01/4050	400mm x 600mm	20kN	Pair of Plates	1 ¼ inch



Square and Rectangular Compression Plates

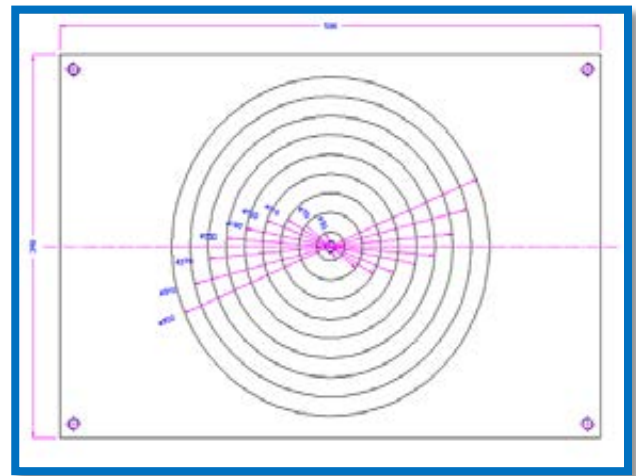
Steel Plates - Hardened steel 58 HRC

Temperature range – 0 °C to + 350 °C

Nickel plated – 70 °C to + 350 °C *(on request)*

(Plates with other dimensions available on request)

Part Number	Dimensions	Maximum Force	Supplied As	Fixing Type
01/4051	100mm x 100mm	20kN	Single Plate	5/8 inch
01/4052	196mm x 196mm	20kN	Single Plate	5/8 inch
01/4053	246mm x 246mm	20kN	Single Plate	5/8 inch
01/4054	296mm x 296mm	20kN	Single Plate	5/8 inch
01/4055	396mm x 396mm	20kN	Single Plate	5/8 inch
01/4056	396mm x 496mm	20kN	Single Plate	5/8 inch
01/4057	496mm x 496mm	20kN	Single Plate	5/8 inch
01/4058	396mm x 596mm	20kN	Single Plate	5/8 inch
01/4059	100mm x 100mm	100kN	Single Plate	1 ¼ inch
01/4060	196mm x 196mm	100kN	Single Plate	1 ¼ inch
01/4061	246mm x 246mm	100kN	Single Plate	1 ¼ inch
01/4062	296mm x 296mm	100kN	Single Plate	1 ¼ inch
01/4063	396mm x 396mm	100kN	Single Plate	1 ¼ inch
01/4064	396mm x 496mm	100kN	Single Plate	1 ¼ inch
01/4065	496mm x 496mm	100kN	Single Plate	1 ¼ inch
01/4066	396mm x 596mm	100kN	Single Plate	1 ¼ inch



Square and Rectangular T-Slot Compression Plates

Square and rectangular T-Slot compression plates used for compression testing and holding irregular shaped samples for compression and tension testing, ideal for automotive, electronic circuit boards, plastic components and wood

Available in aluminium and steel versions

Supplied without T-Nuts but available on request as T-Slots vary between grip sizes

Aluminium Plates

Aluminium Anodized

Temperature Range – 70 °C to + 180 °C

(Plates with other dimensions available on request)

Part Number	Dimensions	Maximum Force	Supplied As	Fixing Type
01/4077	250mm x 250mm	20kN	Single Plate	5/8 inch
01/4078	220mm x 400mm	20kN	Single Plate	5/8 inch
01/4079	380mm x 400mm	20kN	Single Plate	5/8 inch
01/4080	250mm x 250mm	20kN	Single Plate	1 ¼ inch
01/4081	220mm x 400mm	20kN	Single Plate	1 ¼ inch
01/4082	380mm x 400mm	20kN	Single Plate	1 ¼ inch

Steel Plates

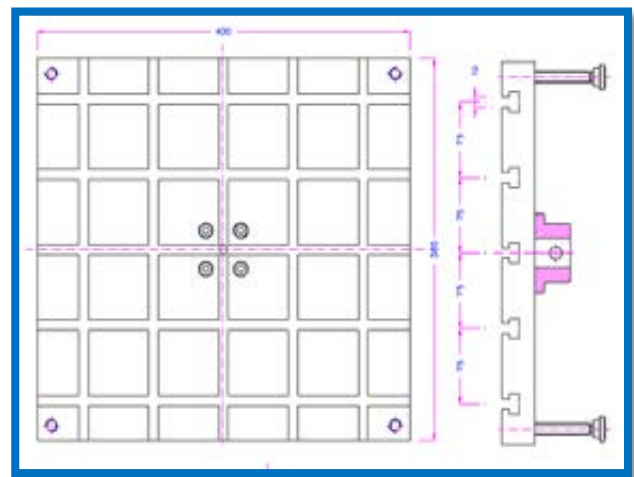
Hardened steel 58HRC

Temperature Range 0 °C to + 350 °C

Nickel Plated Temperature Range – 70 °C to + 350 °C *(on request)*

(Plates with other dimensions available on request)

Part Number	Dimensions	Maximum Force	Supplied As	Fixing Type
01/4083	250mm x 250mm	20kN	Single Plate	5/8 inch
01/4084	220mm x 400mm	20kN	Single Plate	5/8 inch
01/4085	380mm x 400mm	20kN	Single Plate	5/8 inch
01/4056	296mm x 496mm	20kN	Single Plate	5/8 inch
01/4087	250mm x 250mm	100kN	Single Plate	1 ¼ inch
01/4088	220mm x 400mm	100kN	Single Plate	1 ¼ inch
01/4089	380mm x 400mm	100kN	Single Plate	1 ¼ inch
01/4090	296mm x 496mm	100kN	Single Plate	1 ¼ inch



Eccentric Roller Grips

Self-tightening eccentric roller grips

A range of self tightening eccentric roller grips, the grip tightens as the sample is pulled
Ideal for all types of flat samples, rubber, plastic film, plastic dumbbells, paper and cardboard, sheet metal and foils

Aluminium Anodized

Temperature ranges 0 - +130 °C

*0 - +70 °C (restricted due to rubber faces)

(Other temperature on request)

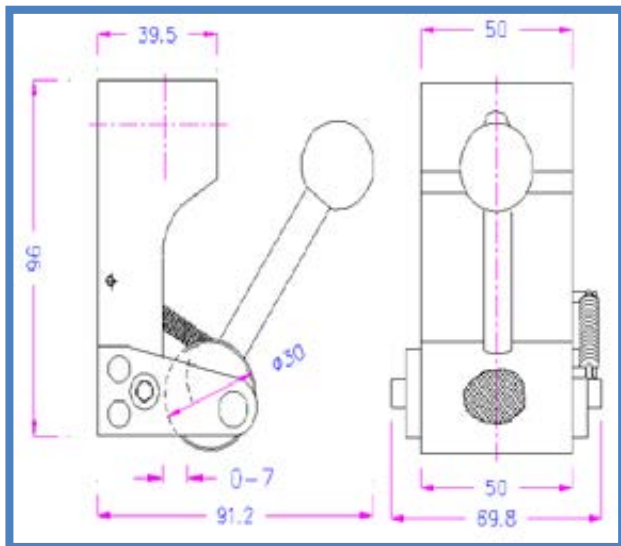
Part Number	Description	Sample Thickness	Rating	Fixing
01/4184	Eccentric roller grip with crosscut faces 50mm wide	0 - 7mm	1kN	5/8 inch
01/4185*	Eccentric roller grip with plain roller and rubber lined grip body 50mm wide	0 - 7mm	1Kn	5/8 inch
01/4186	Eccentric roller grip with crosscut faces 100mm wide	0 - 7mm	5kN	5/8 inch
01/4187	Eccentric roller grip with crosscut faces 50mm wide	0 - 7mm	5kN	5/8 inch
01/4188	Eccentric roller grip with crosscut faces 60mm wide	0 - 8mm	10kN	5/8 inch
01/4189	Eccentric roller grip with crosscut faces 60mm wide and sample centering device	0 - 8mm	10kN	5/8 inch
01/4190	Eccentric dual roller grip 30mm x 50mm	0 - 7mm	5kN	5/8 inch



01/4184



01/4185



01/4190

Hydraulic Grips

Hydraulic operated grips

A range of Hydraulic grips with either single or double actuator, single actuator grips have one side adjusted by manual tightening action screw, these grips are suitable for offset sample alignment for shear testing
Ideal for all types of samples, rubber, plastic dumbbells, metal, fabrics and composites (depends on rating)
All Hydraulic grips are suitable for use with the Hydraulic Pumps (01/4781-82-83)

Steel, Manganese Phosphate Coated
Hydraulic Connection 1/4"
Temperature range 0 – to +70° C
(Other temperatures on request)

Part Number	Description	Quantity	Opening	Weight	Max Rating	Fixing
01/4721	Hydraulic Grip supplied with no faces, Single actuator, 15mm stroke	Pair	Face Dependant	15Kg	60kN	1 ¼ Inch
01/472	Hydraulic Grip supplied with no faces, Dual actuator, 15mm stroke	Pair	Face Dependant	16Kg	60kN	1 ¼ Inch
01/4732	Hydraulic Grip supplied with no faces, Single actuator, 15mm stroke	Pair	Face Dependant	37Kg	180kN	1 ¼ Inch
01/4733	Hydraulic Grip supplied with no faces, Dual actuator, 15mm stroke	Pair	Face Dependant	37Kg	180kN	1 ¼ Inch

Face options

Part Number	Description	Quantity	Rating
01/4723	60mm x 66mm, Plain faces, 0mm to 30mm opening for 01/4721 and 01/4722	Set of 4	60kN
01/4724	60mm x 66mm, Cross-Cut faces, 0mm to 30mm opening 01/4721 and 01/4722	Set of 4	60kN
01/4725	60mm x 66mm, V-Notch faces, 8mm to 30mm round Samples 01/4721 and 01/4722	Set of 4	60kN
01/4726	60mm x 66mm, Wave faces, 0mm to 30mm opening 01/4721 and 01/4722	Set of 4	60kN
01/4727	60mm x 66mm, Diamond Coated faces, 0mm to 30mm opening 01/4721 and 01/4722	Set of 4	60kN
01/4728	60mm x 66mm, Diamond Coated V-Notch faces, 8mm to 30mm round Samples 01/4721 and 01/4722	Set of 4	60kN
01/4729	70mm x 210mm, Plain faces, 0mm to 20mm opening 01/4721 and 01/4722	Set of 4	60kN
01/4730	70mm x 210mm, Rubber faces, 0mm to 16mm opening 01/4721 and 01/4722	Set of 4	60kN
01/4731	70mm x 210mm, Wave faces, 0mm to 20mm opening 01/4721 and 01/4722	Set of 4	60kN
01/4732	60mm x 66mm, Plain faces, 0mm to 30mm opening for 01/4732 and 01/4733	Set of 4	180kN
01/4733	70mm x 120mm, Cross-Cut faces, 0mm to 30mm opening for 01/4732 and 01/4733	Set of 4	180kN
01/4734	60mm x 66mm, V-Notch faces, 8mm to 30mm round Samples for 01/4732 and 01/4733	Set of 4	180kN
01/4735	60mm x 66mm, Wave faces, 0mm to 20mm opening for 01/4732 and 01/4733	Set of 4	180kN

Power Packs

Part Number	Description
01/4781	Air pneumatic pump power pack with 2 magnetic valves and two switches 2.75 Liter/min 350 bar 1:61 (1 bar air pressure makes 61 bar oil, pressure) Minimum air pressure 1 bar 350x250x400mm 220Volt 0.1 A
01/4782	Air pneumatic pump power pack with 2 magnetic valves and two switches for open and close + box for noise reduction + analog input signal for pressure adaptation (1V =40bar, 5V=200bar, 10V=400bar) 220Volt 0.1 A
01/4783	air pneumatic pump power pack with 4 magnetic valves and two switches for close - stop - open + box for noise reduction + analog input signal for pressure adaptation (1V =40bar, 5V=200bar, 10V=400bar) 220Volt 0.1 A



01/4722



01/4731



01/4721



01/4781

Peel and Friction Grips

Peeling and Friction Grips

A range of grips and fixtures designed for peeling samples at 90 °, 180 °, T-Peel and COF.
Applicable standards, ASTM D3167, ISO4578, DIN53289, EN1464

Aluminium Anodized and Steel
Temperature ranges 0 - +130 °C
(Other temperature on request)

Other variations available on request

Part Number	Description	Quantity	Rating	Fixing
01/4738	Peeling drum 25mm diameter	Single	10kN	5/8 inch
01/4739	Peeling drum 90mm diameter	Single	10kN	5/8 inch
01/4740	Peeling drum 152mm diameter	Single	10kN	5/8 inch
01/4741	Peeling drum 90mm diameter, with sample clamp	Single	10kN	5/8 inch
01/4742	180° peeling plate, 300mm long 50mm wide	Single	1kN	5/8 inch
01/4743	180° glass peeling plate, 300mm long 50mm wide	Single	1kN	5/8 inch
01/4744	90° sliding peel table 50mm x 250mm	Single	1kN	5/8 inch
01/4745	90° sliding peel table 130mm x 250mm	Single	1kN	5/8 inch
01/4746	90° sliding peel table 50mm x 250mm, adjustable angle 0-30°	Single	1kN	5/8 inch
01/4747	Dual roller peeling fixture, 25mm diameter, 30mm wide	Single	10kN	5/8 inch
01/4748	Dual roller peeling fixture, 25.4mm diameter, 25.4mm wide	Single	10kN	5/8 inch
01/4749	Dual roller peeling fixture, 20mm diameter, 30mm wide	Single	10kN	5/8 inch
01/4750	Dual roller peeling fixture, 20mm diameter, 30mm wide, adjustable width	Single	10kN	5/8 inch



01/4739



01/4743



01/4742



01/4750



01/4744



01/4746

Pincer Grips

Vice and spring action pincer grips

A range of small vice action pincer grips, available as direct connect and options of a connecting chain for self alignment
Ideal for testing of small component parts where access is an issue such as electrical and electronic components

Steel hardened, phosphate coated
Temperature Range 0 to +130° C
(Nickel plated -70 to +280° C)

Part Number	Description	Face Dimensions	Sample Thickness	Weight	Rating	Fixing
01/4191	Small pincer grip, crosscut faces	25mm x 25mm	0 – 10mm	452g	2kN	5/8 inch
01/4192	Small pincer grip, crosscut faces, Nickel plated	25mm x 25mm	0 – 10mm	452g	2kN	5/8 inch
01/4193	Small pincer grip, plain faces without chain	10mm x 10mm	0 – 3.4mm	98g	20N	5/8 inch
01/4194	Small pincer grip, plain faces with chain 250mm	10mm x 10mm	0 – 3.4mm	98g	20N	5/8 inch
01/4195	Small pincer grip, crosscut faces with chain 250mm	5mm x 6mm	0 – 4mm	95g	100N	5/8 inch
01/4196	Small pincer grip, crosscut faces without chain	5mm x 6mm	0 – 4mm	95g	100N	5/8 inch
01/4197	Nickel plated version of 01/4195	5mm x 6mm	0 – 4mm	95g	100N	5/8 inch
01/4198	Nickel plated version of 01/4196	5mm x 6mm	0 – 4mm	95g	100N	5/8 inch



01/4191



01/4192



01/4193



01/4196



01/4195

Pneumatic Grips

Pneumatic operated grips

A range of pneumatic grips with either single or double actuator, single actuator grips have one side adjusted by manual tightening action either by thumb screw or T-bar, these grips are suitable for offset sample alignment for shear testing
Ideal for all types of flat samples, rubber, plastic film, plastic dumbbells, paper and cardboard, sheet metal, foils, wood, fabrics and composites (depends on rating)

All pneumatic grips are suitable for use with the foot and hand controls

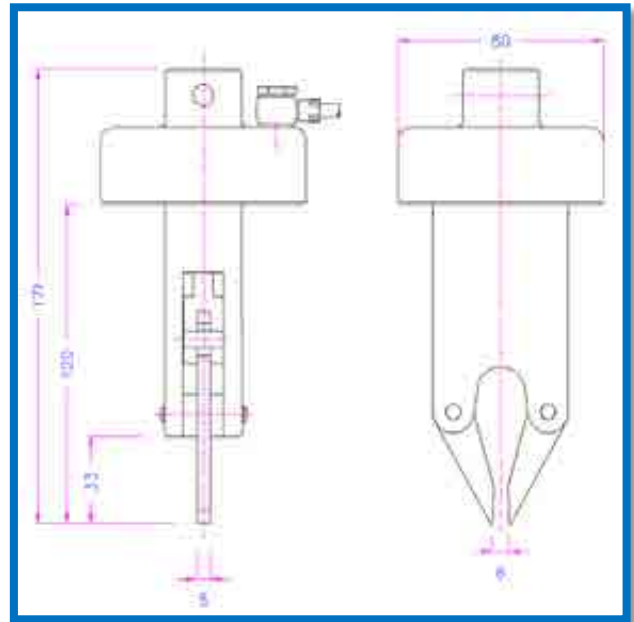
Aluminium anodized

Temperature range 0 – to +70° C

(Other temperatures on request)

Part Number	Description	Quantity	Opening	Weight	Rating	Fixing
01/4785	Pincer grip, 5mm x 5mm including crosscut faces	Single	0 – 6mm	800g	2kN	5/8 inch

01/4353 is suitable for the testing of small components; the pincer action and the size of the grip make it ideal for holding and gaining access to small parts



Pneumatic Grips

Pneumatic operated grips

A range of pneumatic grips with either single or double actuator, single actuator grips have one side adjusted by manual tightening action either by thumb screw or T-bar, these grips are suitable for offset sample alignment for shear testing. Ideal for all types of flat samples, rubber, plastic film, plastic dumbbells, paper and cardboard, sheet metal, foils, wood, fabrics and composites (depends on rating).

All pneumatic grips are suitable for use with the foot and hand controls.

Stainless Steel

Temperature range -70 – to +280° C

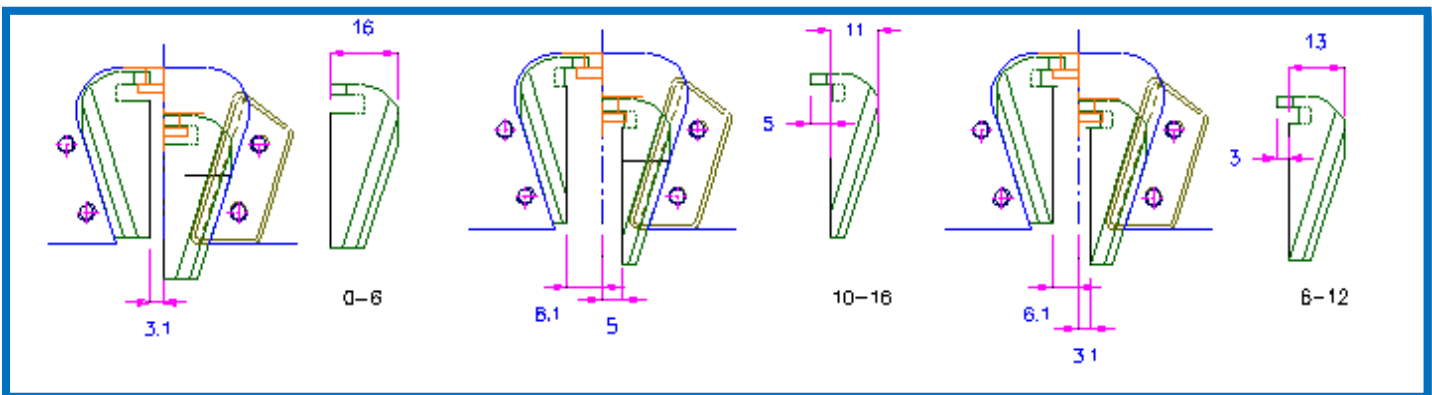
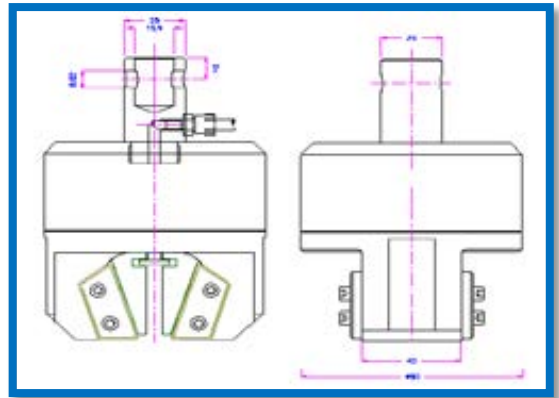
(Other temperatures on request)

Specialist wedge grip with wide temperature range, suitable for use in a thermal cabinet due to air supply connections are kept away from the body of the grip and outside the chamber. Different length extension rods are available on request and should be specified in mm from the top of the grip body to the load cell connecting point.

Part Number	Description	Quantity	Weight	Rating	Fixing
01/4354	Wedge grip, without faces for thermal cabinet	Pair		10kN	5/8 inch

Face options

Part Number	Description	Quantity	Rating	Fixing
01/4355	30mm x 40mm, crosscut faces, 0mm – 6mm opening	Set of 4	10kN	N/A
01/4356	30mm x 40mm, crosscut faces, 6mm – 12mm opening	Set of 4	10kN	N/A
01/4357	30mm x 35mm, crosscut faces, 10mm – 16mm opening	Set of 4	10kN	N/A



Pneumatic Grips

Pneumatic operated grips

A range of pneumatic grips with either single or double actuator, single actuator grips have one side adjusted by manual tightening action either by thumb screw or T-bar, these grips are suitable for offset sample alignment for shear testing. Ideal for all types of flat samples, rubber, plastic film, plastic dumbbells, paper and cardboard, sheet metal, foils, wood, fabrics and composites (depends on rating).

All pneumatic grips are suitable for use with the foot and hand controls.

Specialist wedge grip with wide temperature range, suitable for use in a thermal cabinet due to air supply connections are kept away from the body of the grip and outside the chamber. Different length extension rods are available on request and should be specified in mm from the top of the grip body to the load cell connecting point.

Stainless Steel

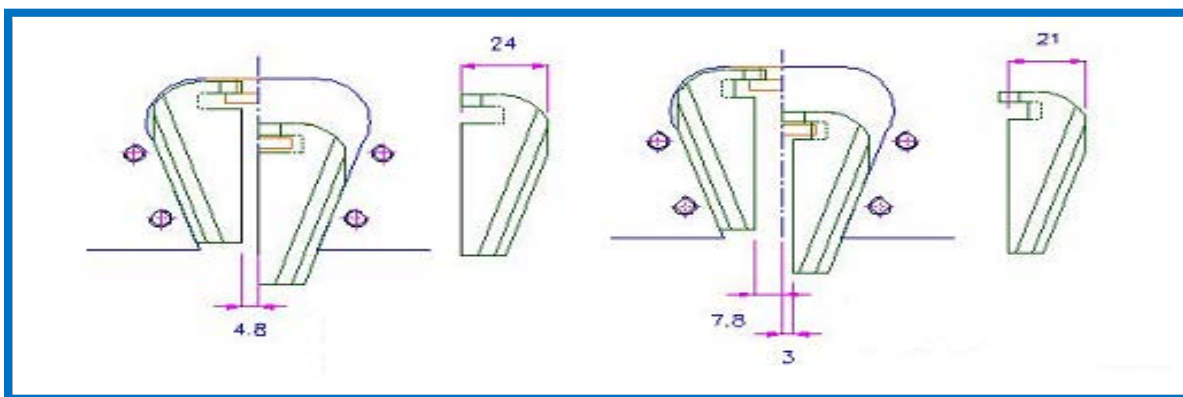
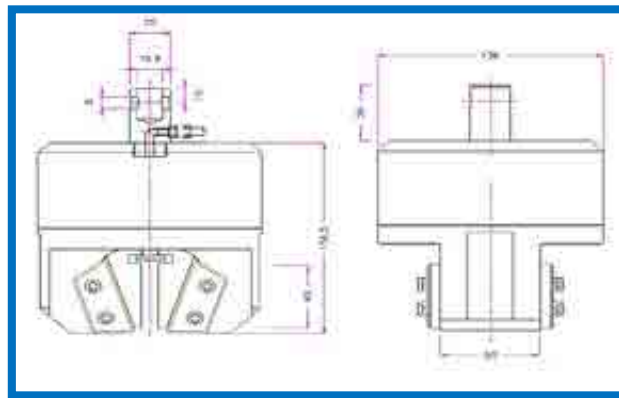
Temperature range 0 – to +70° C

(Other temperatures on request)

Part Number	Description	Quantity	Weight	Rating	Fixing
01/4358	Wedge grip, without faces	Pair		20kN	5/8 inch

Face options

Part Number	Description	Quantity	Rating	Fixing
01/4359	60mm x 45mm, Cross-Cut faces 0mm - 8mm opening	Set of 4	20kN	N/A
01/4360	60mm x 45mm, V-notch faces 3mm - 8mm opening	Set of 4	20kN	N/A
01/4361	60mm x 45mm, Cross-Cut faces 7mm - 15mm opening	Set of 4	20kN	N/A
01/4362	60mm x 45mm, V-notch faces 7mm - 13mm opening	Set of 4	20kN	N/A



Pneumatic Grips

Pneumatic operated grips

A range of pneumatic grips with either single or double actuator, single actuator grips have one side adjusted by manual tightening action either by thumb screw or T-bar, these grips are suitable for offset sample alignment for shear testing. Ideal for all types of flat samples, rubber, plastic film, plastic dumbbells, paper and cardboard, sheet metal, foils, wood, fabrics and composites (depends on rating).

All pneumatic grips are suitable for use with the foot and hand controls.

Stainless Steel

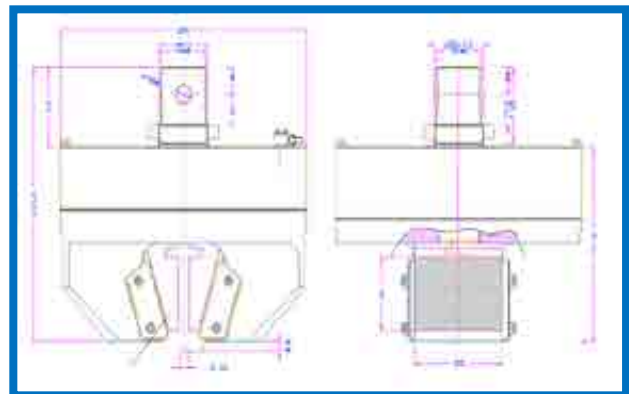
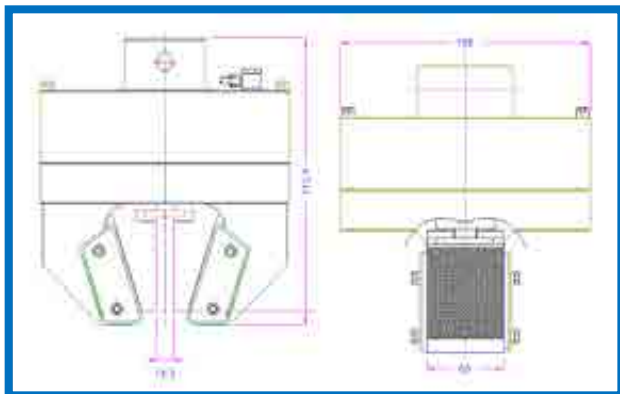
Temperature range 0 – to +70° C

(Other temperatures on request)

Part Number	Description	Quantity	Rating	Fixing
01/4363	Wedge grip, without faces	Pair	50kN	1 1/4 inch
01/4365	Wedge grip, without faces	Pair	100kN	

Face options

Part Number	Description	Quantity	Rating	Fixing
01/4364	60mm x 67mm, crosscut faces, 0mm – 13mm opening for 01/4363	Set of 4	50kN	N/A
01/4366	60mm x 67mm, crosscut faces, 0mm – 10mm opening for 01/4365	Set of 4	100kN	N/A
01/4367	60mm x 67mm, crosscut faces, 10mm – 20mm opening for 01/4365	Set of 4	100kN	N/A



Pneumatic Grips

Pneumatic operated grips

A range of pneumatic grips with either single or double actuator, single actuator grips have one side adjusted by manual tightening action either by thumb screw or T-bar, these grips are suitable for offset sample alignment for shear testing. Ideal for all types of flat samples, rubber, plastic film, plastic dumbbells, paper and cardboard, sheet metal, foils, wood, fabrics and composites (depends on rating).

All pneumatic grips are suitable for use with the foot and hand controls.

Stainless Steel

Temperature range 0 – to +350° C

(Other temperatures on request)

Specialist wedge grip with wide temperature range, suitable for use in a thermal cabinet due to air supply connections are kept away from the body of the grip and outside the chamber. Different length extension rods are available on request and should be specified in mm from the top of the grip body to the load cell connecting point.

Part Number	Description	Quantity	Rating	Fixing
01/4368	Wedge grip, without faces	Pair	20kN	5/8 inch
01/4370	Wedge grip, without faces	Pair	50kN	1 1/4 inch
01/4372	Wedge grip, without faces	Pair	100kN	

Face options

Part Number	Description	Quantity	Rating	Fixing
01/4369	50mm x 50mm, crosscut faces, 0mm – 17mm opening for 01/4368	Set of 4	20kN	N/A
01/4371	50mm x 50mm, crosscut faces, 0mm – 17mm opening for 01/4370	Set of 4	50kN	N/A
01/4373	50mm x 50mm, crosscut faces, 0mm – 17mm opening for 01/4372	Set of 4	100kN	N/A



Pneumatic Grips

Pneumatic operated grips

A range of pneumatic grips for use with wire, yarns, threads and small diameter ropes
All pneumatic grips are suitable for use with the foot and hand controls

Aluminium Anodised
Temperature range 0 – to +80° C
(Other temperatures on request)

Part Number	Description	Quantity	Weight	Rating	Fixing
01/4374	Wire, Yarn and Thread grip without faces, 0mm – 5mm opening	Pair	550g	2.5kN	5/8 inch
01/4375	Wire, Yarn and Thread grip with 20mm x 10mm rubber faces, sample width 0 – 2mm Ø and up to 7mm wide, 20mm Ø drum	Pair	670g	1kN	5/8 inch
01/4376	Wire, Yarn and Thread grip with 20mm x 10mm diamond faces, sample width 0 – 2mm Ø and up to 7mm wide, 20mm Ø drum	Pair	670g	1kN	5/8 inch
01/4377	Wire, Yarn and Thread grip with 30mm x 12mm crosscut faces, sample width 0 – 2mm Ø and up to 7mm wide, 40mm Ø drum	Pair	1.27kg	5kN	5/8 inch
01/4378	Wire, Yarn and Thread grip with 30mm x 12mm diamond faces, sample width 0 – 2mm Ø and up to 7mm wide, 40mm Ø drum	Pair	1.27kg	5kN	5/8 inch
01/4379	Wire, Yarn and Thread grip, 6mm x 20mm plain jaw faces, sample Ø 0 – 1mm	Pair	102g	200N	5/8 inch
01/4380	Wire, Yarn and Thread grip, 6mm x 20mm diamond jaw faces, sample Ø 0 – 1mm	Pair	102g	200N	5/8 inch
01/4381	Wire, Yarn and Thread grip, 12mm x 36mm plain jaw faces, sample Ø 0 – 2mm	Pair	590g	2kN	5/8 inch
01/4382	Wire, Yarn and Thread grip, 12mm x 36mm diamond jaw faces, sample Ø 0 – 2mm	Pair	590g	2kN	5/8 inch
01/4383	Wire, Yarn and Thread grip, 15mm x 44mm plain jaw faces, sample Ø 0 – 3mm	Pair	1.25kg	5kN	5/8 inch
01/4384	Wire, Yarn and Thread grip, 15mm x 44mm diamond jaw faces, sample Ø 0 – 3mm	Pair	1.25kg	5kN	5/8 inch

Jaw face options

Part Number	Description	Quantity	Rating	Fixing
01/4385	6mm x 20mm, Plain jaws for 01/4379 and 01/4380	Set of 2	200N	N/A
01/4386	6mm x 20mm, Rubber jaws for 01/4379 and 01/4380	Set of 2	200N	N/A
01/4387	6mm x 20mm, Diamond Coated jaws for 01/4379 and 01/4380	Set of 2	200N	N/A
01/4388	12mm x 36mm, Plain jaws for 01/4381 and 01/4382	Set of 2	2kN	N/A
01/4389	12mm x 36mm, Rubber jaws for 01/4381 and 01/4382	Set of 2	2kN	N/A
01/4390	12mm x 36mm, Diamond Coated jaws for 01/4381 and 01/4382	Set of 2	2kN	N/A
01/4391	15mm x 44mm, Plain jaws for 01/4383 and 01/4384	Set of 2	5kN	N/A
01/4392	15mm x 44mm, Rubber jaws for 01/4383 and 01/4384	Set of 2	5kN	N/A
01/4393	15mm x 44mm, Diamond Coated jaws for 01/4383 and 01/4384	Set of 2	5kN	N/A



01/4374



01/4375



01/4379

Pneumatic Grips

Pneumatic operated grips

A range of pneumatic grips for use with ropes, cord and strapping
All pneumatic grips are suitable for use with the foot and hand controls

Steel
Temperature range 0 – to +80° C
(Other temperatures on request)

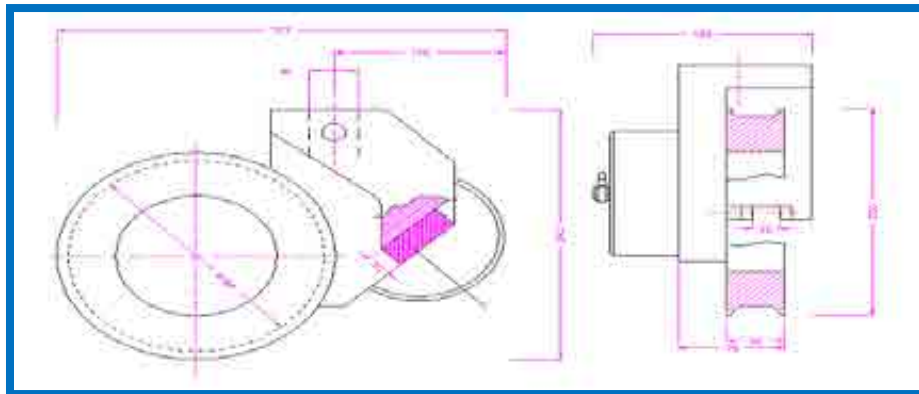
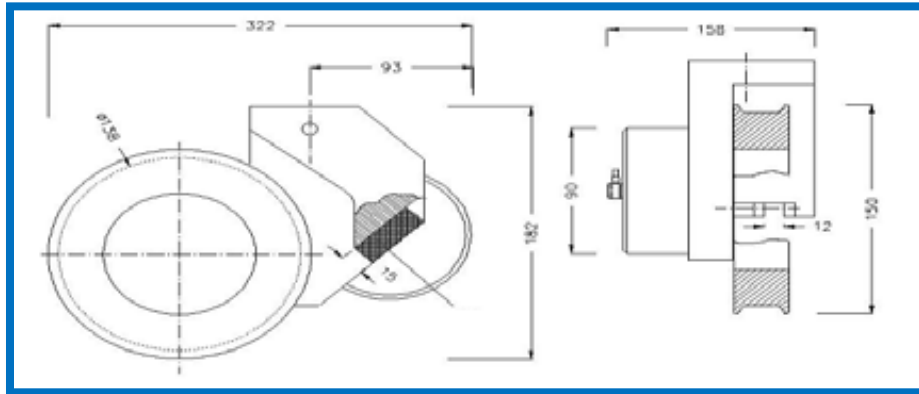
Part Number	Description	Quantity	Weight	Rating	Fixing
01/4394	Rope grip, 138mm bollard, samples up to 12mm Ø, crosscut jaws	Pair	7kg	20kN	5/8 inch
01/4395	Rope grip, 188mm bollard, samples up to 12mm Ø, crosscut jaws	Pair	11kg	50kN	1 1/4 inch



01/4394



01/4395



Pneumatic Grips

Pneumatic operated grips

A range of pneumatic grips with either single or double actuator, single actuator grips have one side adjusted by manual tightening action either by thumb screw or T-bar, these grips are suitable for offset sample alignment for shear testing. Ideal for all types of flat samples, rubber, plastic film, plastic dumbbells, paper and cardboard, sheet metal, foils, wood, fabrics and composites (depends on rating).

All pneumatic grips are suitable for use with the foot and hand controls.

Aluminium Anodised

Temperature range 0 – to +80° C

(Other temperatures on request)

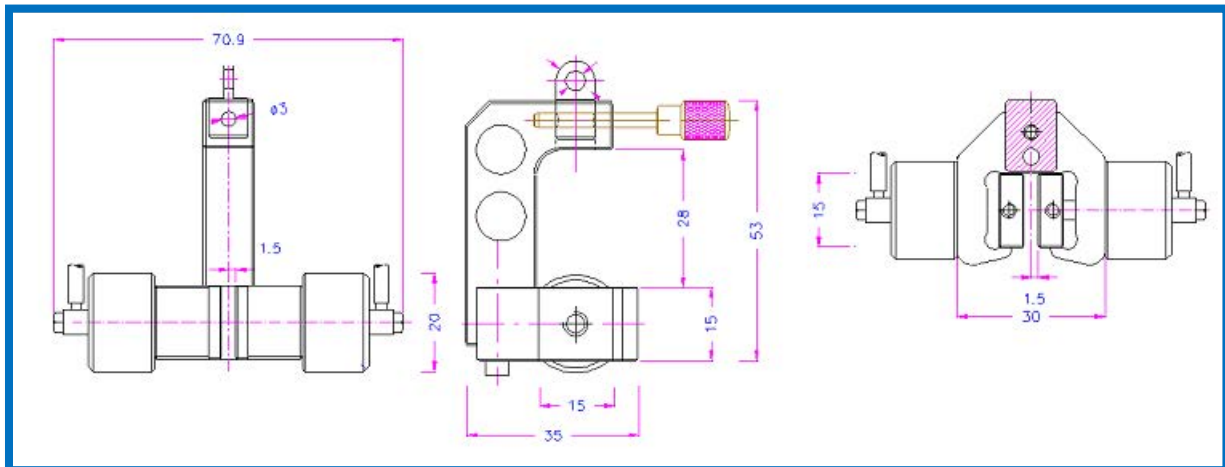
Part Number	Description	Quantity	Weight	Rating	Fixing
01/4396	Pneumatic vice grip, with 15mm x 15mm crosscut faces, 0 – 8mm opening, single actuator	Pair	250g	100N	5/8 inch
01/4397	Pneumatic vice grip, with 15mm x 15mm crosscut faces, 0 – 8mm opening, dual actuator	Pair	250g	100N	5/8 inch



01/4396



01/4397



Pneumatic Grips

Pneumatic operated grips

A range of pneumatic grips with either single or double actuator, single actuator grips have one side adjusted by manual tightening action either by thumb screw or T-bar, these grips are suitable for offset sample alignment for shear testing. Ideal for all types of flat samples, rubber, plastic film, plastic dumbbells, paper and cardboard, sheet metal, foils, wood, fabrics and composites (depends on rating).

All pneumatic grips are suitable for use with the foot and hand controls.

Aluminium Anodised

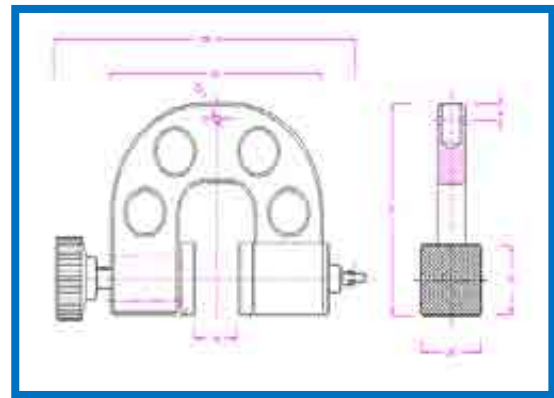
Temperature range 0 – to +70° C

(Other temperatures on request)

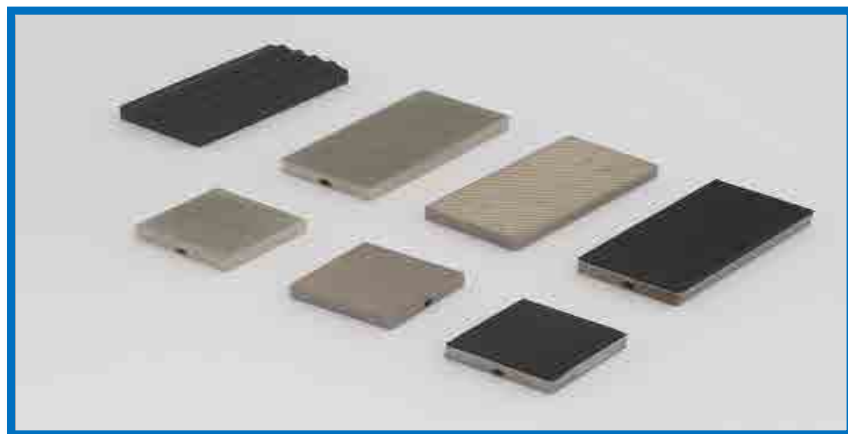
Part Number	Description	Quantity	Weight	Rating	Fixing
01/4398	Pneumatic vice grip, without faces, single actuator	Pair	214g	200N	5/8 inch

Face options

Part Number	Description	Weight	Quantity	Rating	Fixing
01/4399	25mm x 25mm, plain jaw faces, 0-20mm opening	53g	Set of 4	200N	N/A
01/4400	25mm x 25mm, rubber jaw faces, 0-18mm opening	56g	Set of 4	200N	N/A
01/4401	25mm x 25mm, crosscut jaw faces, 0-20mm opening	49g	Set of 4	200N	N/A
01/4402	25mm x 25mm, diamond jaw faces, 0-20mm opening	54g	Set of 4	200N	N/A
01/4403	25mm x 50mm, plain jaw faces, 0-20mm opening	111g	Set of 4	200N	N/A
01/4404	25mm x 50mm, rubber jaw faces, 0-18mm opening	114g	Set of 4	200N	N/A
01/4405	25mm x 50mm, crosscut jaw faces, 0-20mm opening	104g	Set of 4	200N	N/A
01/4406	25mm x 50mm, wave jaw faces, 0-18mm opening	128g	Set of 4	200N	N/A
01/4407	25mm x 50mm, diamond jaw faces, 0-20mm opening	112g	Set of 4	200N	N/A



01/4398



Pneumatic Grips

Pneumatic operated grips

A range of pneumatic grips with either single or double actuator, single actuator grips have one side adjusted by manual tightening action either by thumb screw or T-bar, these grips are suitable for offset sample alignment for shear testing. Ideal for all types of flat samples, rubber, plastic film, plastic dumbbells, paper and cardboard, sheet metal, foils, wood, fabrics and composites (depends on rating).

All pneumatic grips are suitable for use with the foot and hand controls.

Aluminium Anodised

Temperature range 0 – to +70° C

(Other temperatures on request)

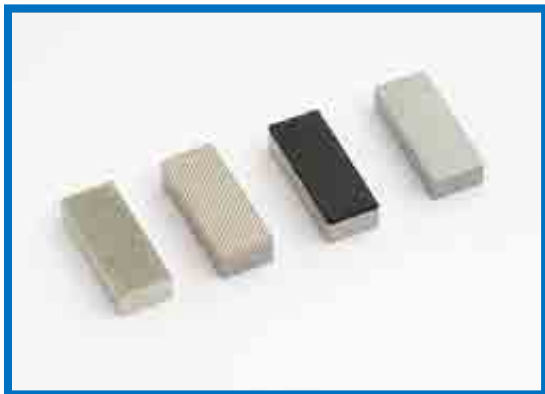
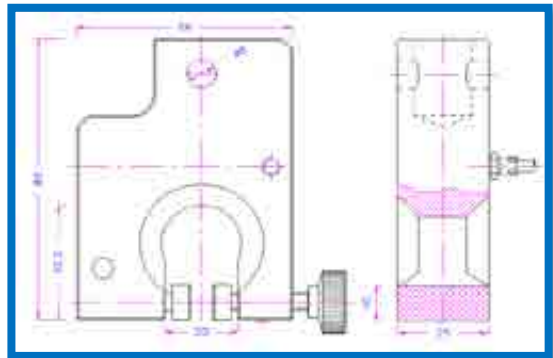
Part Number	Description	Quantity	Weight	Rating	Fixing
01/4408	Pneumatic vice grip, without faces, single actuator	Pair	260g	1kN	5/8 inch

Face options

Part Number	Description	Weight	Quantity	Rating	Fixing
01/4409	10mm x 25mm, plain jaw faces, 0-10mm opening	18g	Set of 4	N/A	N/A
01/4410	10mm x 25mm, rubber jaw faces, 0-8mm opening	19g	Set of 4	N/A	N/A
01/4411	10mm x 25mm, crosscut jaw faces, 0-10mm opening	17g	Set of 4	N/A	N/A
01/4412	10mm x 25mm, diamond jaw faces, 0-10mm opening	18g	Set of 4	N/A	N/A
01/4413	10mm x 50mm, plain jaw faces, 0-8mm opening	46g	Set of 4	N/A	N/A
01/4414	10mm x 50mm, rubber jaw faces, 0-6mm opening	48g	Set of 4	N/A	N/A
01/4415	10mm x 50mm, crosscut jaw faces, 0-8mm opening	43g	Set of 4	N/A	N/A
01/4416	10mm x 50mm, diamond jaw faces, 0-8mm opening	46g	Set of 4	N/A	N/A
01/4417	10mm x 100mm, plain jaw faces, 0-8mm opening	92g	Set of 4	N/A	N/A
01/4418	10mm x 100mm, rubber jaw faces, 0-6mm opening	95g	Set of 4	N/A	N/A
01/4419	10mm x 100mm, crosscut jaw faces, 0-8mm opening	86g	Set of 4	N/A	N/A
01/4420	10mm x 100mm, diamond jaw faces, 0-8mm opening	92g	Set of 4	N/A	N/A



01/4408



Pneumatic Grips

Pneumatic operated grips

A range of pneumatic grips with either single or double actuator, single actuator grips have one side adjusted by manual tightening action either by thumb screw or T-bar, these grips are suitable for offset sample alignment for shear testing. Ideal for all types of flat samples, rubber, plastic film, plastic dumbbells, paper and cardboard, sheet metal, foils, wood, fabrics and composites (depends on rating).

All pneumatic grips are suitable for use with the foot and hand controls.

Aluminium Anodised

Temperature range 0 – to +70° C

(Other temperatures on request)

Part Number	Description	Quantity	Weight	Rating	Fixing
01/4421	Pneumatic vice grip, without faces, single actuator	Pair	530g	1kN	5/8 inch
01/4422	Pneumatic vice grip, without faces, dual actuator	Pair	710g	1kN	5/8 inch

Part Number	Description	Weight	Quantity	Rating	Fixing
01/4423	30mm x 30mm, plain jaw faces, 0-10mm opening	130g	Set of 4	N/A	N/A
01/4424	30mm x 30mm, rubber jaw faces, 0-8mm opening	130g	Set of 4	N/A	N/A
01/4425	30mm x 30mm, crosscut jaw faces, 0-10mm opening	120g	Set of 4	N/A	N/A
01/4426	30mm x 30mm, V-notch jaw faces, 2-10mm Ø	130g	Set of 4	N/A	N/A
01/4427	30mm x 30mm, V-notch jaw faces, 3-10mm Ø	130g	Set of 4	N/A	N/A
01/4428	30mm x 30mm, wave jaw faces, 0-10mm opening	120g	Set of 4	N/A	N/A
01/4429	30mm x 30mm, diamond jaw faces, 0-10mm opening	130g	Set of 4	N/A	N/A
01/4430	Quick fit carrier plate	120g	Set of 2	N/A	N/A
01/4431	30mm x 36mm, plain jaw faces, 0-4mm opening for 01/4430	60g	Set of 4	N/A	N/A
01/4432	30mm x 36mm, rubber jaw faces, 0-2mm opening for 01/4430	60g	Set of 4	N/A	N/A
01/4433	30mm x 36mm, crosscut jaw faces, 0-4mm opening for 01/4430	60g	Set of 4	N/A	N/A
01/4434	30mm x 36mm, diamond jaw faces, 0-4mm opening for 01/4430	60g	Set of 4	N/A	N/A



01/4421



01/4422



Pneumatic Grips

Pneumatic operated grips

A range of pneumatic grips with either single or double actuator, single actuator grips have one side adjusted by manual tightening action either by thumb screw or T-bar, these grips are suitable for offset sample alignment for shear testing. Ideal for all types of flat samples, rubber, plastic film, plastic dumbbells, paper and cardboard, sheet metal, foils, wood, fabrics and composites (depends on rating).

All pneumatic grips are suitable for use with the foot and hand controls.

Aluminium Anodised

Temperature range 0 – to +70° C

(Other temperatures on request)

Part Number	Description	Quantity	Weight	Rating	Fixing
01/4435	Pneumatic vice grip, without faces, single actuator	Pair	1.34Kg	5kN	5/8 inch
01/4436	Pneumatic vice grip, without faces, dual actuator	Pair	1.71Kg	5kN	5/8 inch

Face options

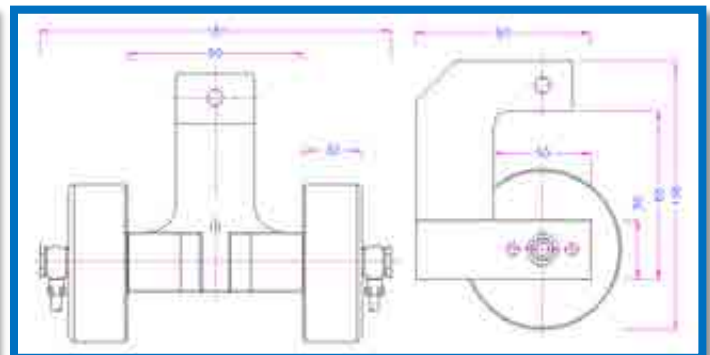
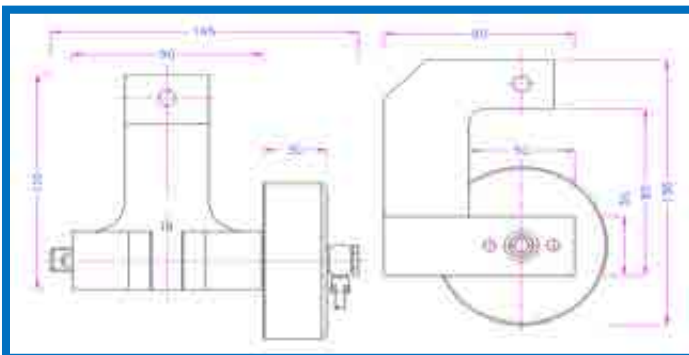
Part Number	Description	Weight	Quantity	Rating	Fixing
01/4437	30mm x 50mm, plain jaw faces, 0-15mm opening	220g	Set of 4	N/A	N/A
01/4438	30mm x 50mm, rubber jaw faces, 0-13mm opening	220g	Set of 4	N/A	N/A
01/4439	30mm x 50mm, crosscut jaw faces, 0-15mm opening	210g	Set of 4	N/A	N/A
01/4440	30mm x 50mm, V-notch jaw faces, 2-15mm Ø	220g	Set of 4	N/A	N/A
01/4441	30mm x 50mm, V-notch jaw faces, 5-11mm Ø	260g	Set of 4	N/A	N/A
01/4442	30mm x 50mm, wave jaw faces, 0-15mm opening	200g	Set of 4	N/A	N/A
01/4443	30mm x 50mm, diamond jaw faces, 0-15mm opening	220g	Set of 4	N/A	N/A
01/4444	Quick fit carrier plate	180g	Set of 2	N/A	N/A
01/4445	30mm x 36mm, plain jaw faces, 0-4mm opening for 01/4444	140g	Set of 4	N/A	N/A
01/4446	30mm x 36mm, rubber jaw faces, 0-2mm opening for 01/4444	140g	Set of 4	N/A	N/A
01/4447	30mm x 36mm, crosscut jaw faces, 0-4mm opening for 01/4444	130g	Set of 4	N/A	N/A
01/4448	30mm x 36mm, diamond jaw faces, 0-4mm opening for 01/4444	140g	Set of 4	N/A	N/A



01/4435



01/4436



Pneumatic Grips

Pneumatic operated grips

A range of pneumatic grips with either single or double actuator, single actuator grips have one side adjusted by manual tightening action either by thumb screw or T-bar, these grips are suitable for offset sample alignment for shear testing. Ideal for all types of flat samples, rubber, plastic film, plastic dumbbells, paper and cardboard, sheet metal, foils, wood, fabrics and composites (depends on rating).

All pneumatic grips are suitable for use with the foot and hand controls.

Aluminium Anodised

Temperature range 0 – to +70° C

(Other temperatures on request)

Part Number	Description	Quantity	Weight	Rating	Fixing
01/4449	Pneumatic vice grip, without faces, single actuator, 0-10mm opening (0-8mm with rubber)	Pair	290g	1kN	5/8 inch
01/4450	Pneumatic vice grip, without faces, dual actuator, 0-10mm opening (0-8mm with rubber)	Pair	290g	1kN	5/8 inch
01/4451	Pneumatic vice grip, without faces, single actuator, 0-20mm opening	Pair	330g	1kN	5/8 inch
01/4452	Pneumatic vice grip, without faces, dual actuator, 0-20mm opening	Pair	330g	1kN	5/8 inch
01/4453	Pneumatic vice grip, without faces, single actuator, 0-30mm opening	Pair	320g	1kN	5/8 inch
01/4454	Pneumatic vice grip, without faces, dual actuator, 0-30mm opening	Pair	320g	1kN	5/8 inch
01/4455	Pneumatic vice grip, without faces, single actuator, 0-50mm opening	Pair	570g	1kN	5/8 inch
01/4456	Pneumatic vice grip, without faces, dual actuator, 0-50mm opening	Pair	570g	1kN	5/8 inch

Face options

Part Number	Description	Weight	Quantity	Rating	Fixing
01/4457	30mm x 30mm plain jaw faces	130g	Set of 4	N/A	N/A
01/4458	30mm x 30mm rubber jaw faces	130g	Set of 4	N/A	N/A
01/4459	30mm x 30mm crosscut jaw faces	120g	Set of 4	N/A	N/A
01/4460	30mm x 30mm V-notch jaw faces	120g	Set of 4	N/A	N/A
01/4461	30mm x 30mm V-notch jaw faces	130g	Set of 4	N/A	N/A
01/4462	30mm x 30mm wave jaw faces	120g	Set of 4	N/A	N/A
01/4463	30mm x 30mm diamond jaw faces	130g	Set of 4	N/A	N/A
01/4464	30mm x 50mm plain jaw faces	220g	Set of 4	N/A	N/A
01/4465	30mm x 50mm rubber jaw faces	230g	Set of 4	N/A	N/A
01/4466	30mm x 50mm crosscut jaw faces	210g	Set of 4	N/A	N/A
01/4467	30mm x 50mm wave jaw faces	200g	Set of 4	N/A	N/A
01/4468	30mm x 50mm diamond jaw faces	220g	Set of 4	N/A	N/A
01/4469	30mm x 80mm plain jaw faces	360g	Set of 4	N/A	N/A
01/4470	30mm x 80mm rubber jaw faces	370g	Set of 4	N/A	N/A
01/4471	30mm x 80mm crosscut jaw faces	350g	Set of 4	N/A	N/A
01/4472	30mm x 80mm wave jaw faces	320g	Set of 4	N/A	N/A
01/4473	30mm x 80mm diamond jaw faces	360g	Set of 4	N/A	N/A
01/4474	30mm x 100mm plain jaw faces	450g	Set of 4	N/A	N/A
01/4475	30mm x 100mm rubber jaw faces	460g	Set of 4	N/A	N/A
01/4476	30mm x 100mm crosscut jaw faces	450g	Set of 4	N/A	N/A
01/4477	30mm x 100mm wave jaw faces	510g	Set of 4	N/A	N/A
01/4478	30mm x 100mm diamond jaw faces	450g	Set of 4	N/A	N/A
01/4479	Carrier quick fit backing to enable quick jaw face changes	120g	Set of 2	N/A	N/A
01/4480	30mm x 36mm plain jaw faces for use with 01/4479	50g	Set of 4	N/A	N/A
01/4481	30mm x 36mm rubber jaw faces for use with 01/4479	60g	Set of 4	N/A	N/A
01/4482	30mm x 36mm crosscut jaw faces for use with 01/4479	50g	Set of 4	N/A	N/A
01/4483	30mm x 36mm diamond jaw faces for use with 01/4479	50g	Set of 4	N/A	N/A



01/4449



01/4450



Plain Faces –steel
Suitable for own treatment



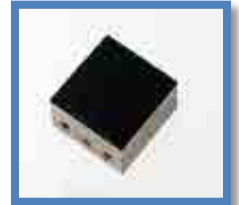
Diamond Faces
Synthetic diamond coated



Wave Faces
5mm wave
Hardened steel 58HRC



Rubber Faces
1mm NBR rubber



Crosscut Faces
1.2 x 45° pitch
Hardened steel 58 HRC



Carrier
Fitted with plain jaw



Carrier



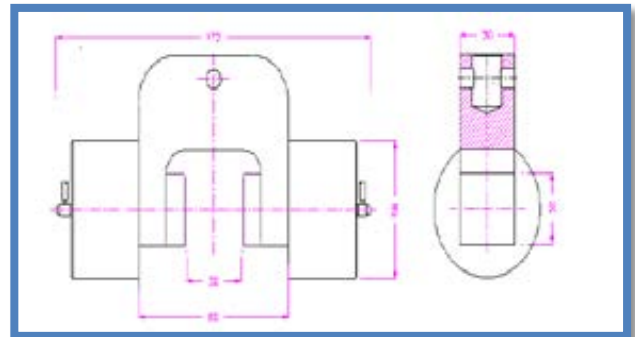
Rubber Faces
1mm NBR rubber



V-notch Faces
1.2mm pitch
Tempered steel 58HRC



V-notch Faces
1.2mm pitch
Tempered steel 58HRC



Pneumatic Grips

Pneumatic operated grips

A range of pneumatic grips with either single or double actuator, single actuator grips have one side adjusted by manual tightening action either by thumb screw or T-bar, these grips are suitable for offset sample alignment for shear testing. Ideal for all types of flat samples, rubber, plastic film, plastic dumbbells, paper and cardboard, sheet metal, foils, wood, fabrics and composites (depends on rating).

All pneumatic grips are suitable for use with the foot and hand controls.

Aluminium Anodised

Temperature range 0 – to +70° C

(Other temperatures on request)

Part Number	Description	Quantity	Weight	Rating	Fixing
01/4484	Pneumatic vice grip, without faces, single actuator, 0-30mm opening (dependant on face option)	Pair	1.3Kg	5kN	5/8 inch
01/4485	Pneumatic vice grip, without faces, dual actuator, 0-30mm opening (dependant on face option)	Pair	1.3Kg	5kN	5/8 inch

Face options

Part Number	Description	Quantity	Rating	Weight	Opening
01/4486	30mm x 50mm plain jaw faces	Set of 4	5kN	220g	0-30mm
01/4487	30mm x 50mm rubber jaw faces	Set of 4	5kN	220g	0-28mm
01/4488	30mm x 50mm crosscut jaw faces	Set of 4	5kN	210g	0-30mm
01/4489	30mm x 50mm wave jaw faces	Set of 4	5kN	200g	0-30mm
01/4490	30mm x 50mm V-notch jaw faces	Set of 4	5kN	220g	Ø 2-50mm
01/4491	30mm x 50mm V-notch jaw faces	Set of 4	5kN	250g	Ø 5-50mm
01/4492	30mm x 50mm diamond jaw faces	Set of 4	5kN	220g	0-30mm
01/4493	30mm x 80mm plain jaw faces	Set of 4	5kN	430g	0-26mm
01/4494	30mm x 80mm rubber jaw faces	Set of 4	5kN	440g	0-24mm
01/4495	30mm x 80mm crosscut jaw faces	Set of 4	5kN	420g	0-26mm
01/4496	30mm x 80mm wave jaw faces	Set of 4	5kN	390g	0-26mm
01/4497	30mm x 80mm diamond jaw faces	Set of 4	5kN	430g	0-26mm
01/4498	30mm x 100mm plain jaw faces	Set of 4	5kN	540g	0-26mm
01/4499	30mm x 100mm rubber jaw faces	Set of 4	5kN	550g	0-24mm
01/4500	30mm x 100mm crosscut jaw faces	Set of 4	5kN	530g	0-26mm
01/4501	30mm x 100mm wave jaw faces	Set of 4	5kN	510g	0-26mm
01/4502	30mm x 100mm diamond jaw faces	Set of 4	5kN	540g	0-26mm
01/4503	Carrier quick fit backing to enable quick jaw face changes	Set of 4	5kN	180g	N/A
01/4504	30mm x 36mm plain jaw faces for use with 01/4503	Set of 4	5kN	140g	0-20mm
01/4505	30mm x 36mm rubber jaw faces for use with 01/4503	Set of 4	5kN	140g	0-18mm
01/4506	30mm x 36mm crosscut jaw faces for use with 01/4503	Set of 4	5kN	130g	0-20mm
01/4507	30mm x 36mm diamond jaw faces for use with 01/4503	Set of 4	5kN	140g	0-20mm



01/4484



01/4485

Pneumatic Grips

Pneumatic operated grips

A range of pneumatic grips with either single or double actuator, single actuator grips have one side adjusted by manual tightening action either by thumb screw or T-bar, these grips are suitable for offset sample alignment for shear testing. Ideal for all types of flat samples, rubber, plastic film, plastic dumbbells, paper and cardboard, sheet metal, foils, wood, fabrics and composites (depends on rating).

All pneumatic grips are suitable for use with the foot and hand controls.

Aluminium Anodised

Temperature range 0 – to +70° C

(Other temperatures on request)

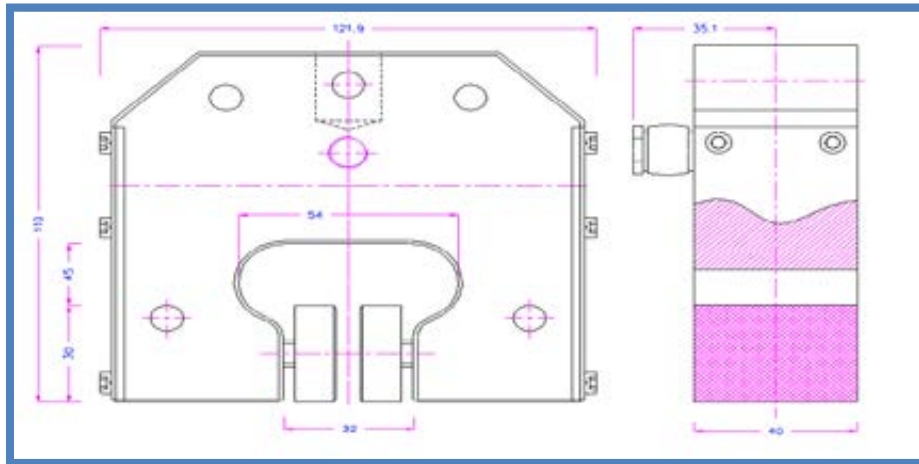
Part Number	Description	Quantity	Weight	Rating	Fixing
01/4508	Pneumatic vice grip, without faces, internal actuator	Pair	1.21Kg	2.4kN	5/8 inch

Face options

Part Number	Description	Quantity	Weight	Rating	Fixing
01/4509	30mm x 50mm plain jaw faces, 0-7mm opening	Set of 4	220g	N/A	N/A
01/4510	30mm x 50mm rubber jaw faces, 0-5mm opening	Set of 4	220g	N/A	N/A
01/4511	30mm x 50mm crosscut jaw faces, 0-7mm opening	Set of 4	220g	N/A	N/A
01/4512	30mm x 50mm V-notch jaw faces, 4-7mm opening	Set of 4	180g	N/A	N/A
01/4513	30mm x 50mm wave jaw faces, 0-7mm opening	Set of 4	200g	N/A	N/A
01/4514	30mm x 50mm diamond jaw faces, 0-7mm opening	Set of 4	220g	N/A	N/A



01/4508



Pneumatic Grips

Pneumatic operated grips

A range of pneumatic grips with either single or double actuator, single actuator grips have one side adjusted by manual tightening action either by thumb screw or T-bar, these grips are suitable for offset sample alignment for shear testing. Ideal for all types of flat samples, rubber, plastic film, plastic dumbbells, paper and cardboard, sheet metal, foils, wood, fabrics and composites (depends on rating).

All pneumatic grips are suitable for use with the foot and hand controls.

Aluminium Anodised

Temperature range 0 – to +70° C

(Other temperatures on request)

Part Number	Description	Quantity	Weight	Rating	Fixing
01/4515	Pneumatic vice grip, without faces, single actuator, 0-30mm opening	Pair	2Kg	3.5kN	5/8 inch
01/4516	Pneumatic vice grip, without faces, single actuator, 0-60mm opening	Pair	2Kg	3.5kN	5/8 inch

Face options

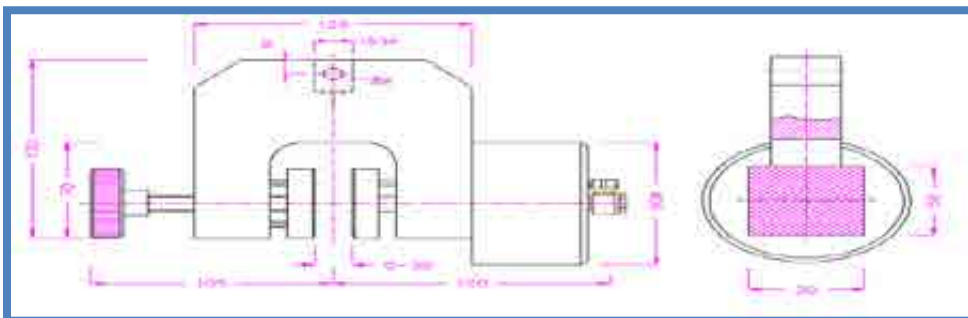
Part Number	Description	Quantity	Weight	Rating	Fixing
01/4517	50mm x 50mm, plain jaw faces,	Set of 4		N/A	N/A
01/4518	50mm x 50mm, rubber jaw faces	Set of 4		N/A	N/A
01/4519	50mm x 50mm, crosscut jaw faces	Set of 4		N/A	N/A
01/4520	50mm x 50mm, V notch jaw faces, 4-8mm Ø	Set of 4		N/A	N/A
01/4521	50mm x 50mm, V notch jaw faces, 8-16mm Ø	Set of 4		N/A	N/A
01/4522	50mm x 50mm, wave jaw faces	Set of 4		N/A	N/A
01/4523	50mm x 50mm, diamond jaw faces	Set of 4		N/A	N/A
01/4524	50mm x 100mm, plain jaw faces,	Set of 4		N/A	N/A
01/4525	50mm x 100mm, rubber jaw faces	Set of 4		N/A	N/A
01/4526	50mm x 100mm, crosscut jaw faces	Set of 4		N/A	N/A
01/4527	50mm x 100mm, wave jaw faces	Set of 4		N/A	N/A
01/4528	50mm x 100mm, diamond jaw faces	Set of 4		N/A	N/A



01/4515



01/4516



Pneumatic Grips

Pneumatic operated grips

A range of pneumatic grips with either single or double actuator, single actuator grips have one side adjusted by manual tightening action either by thumb screw or T-bar, these grips are suitable for offset sample alignment for shear testing. Ideal for all types of flat samples, rubber, plastic film, plastic dumbbells, paper and cardboard, sheet metal, foils, wood, fabrics and composites (depends on rating).

All pneumatic grips are suitable for use with the foot and hand controls.

Aluminium Anodised

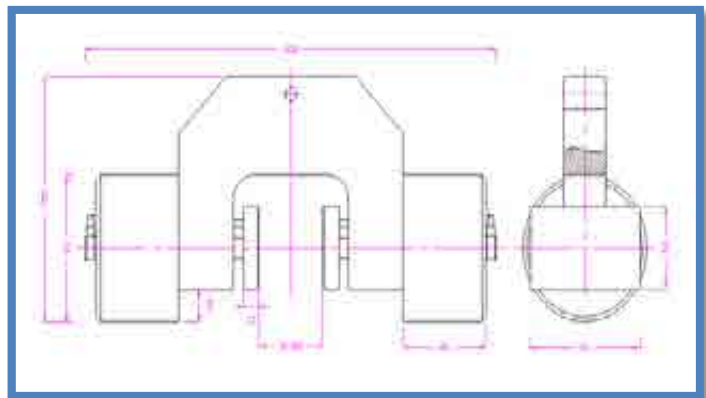
Temperature range 0 – to +70° C

(Other temperatures on request)

Part Number	Description	Quantity	Weight	Rating	Fixing
01/4529	Pneumatic vice grip, without faces, dual actuator, 0-60mm opening	Pair	2Kg	3.5kN	5/8 inch

Face options

Part Number	Description	Quantity	Weight	Rating	Fixing
01/4530	50mm x 50mm, plain jaw faces,	Set of 4		N/A	N/A
01/4531	50mm x 50mm, rubber jaw faces	Set of 4		N/A	N/A
01/4532	50mm x 50mm, crosscut jaw faces	Set of 4		N/A	N/A
01/4533	50mm x 50mm, V notch jaw faces, 4-8mm Ø	Set of 4		N/A	N/A
01/4534	50mm x 50mm, V notch jaw faces, 8-16mm Ø	Set of 4		N/A	N/A
01/4535	50mm x 50mm, wave jaw faces	Set of 4		N/A	N/A
01/4536	50mm x 50mm, diamond jaw faces	Set of 4		N/A	N/A
01/4537	50mm x 100mm, plain jaw faces,	Set of 4		N/A	N/A
01/4538	50mm x 100mm, rubber jaw faces	Set of 4		N/A	N/A
01/4539	50mm x 100mm, crosscut jaw faces	Set of 4		N/A	N/A
01/4540	50mm x 100mm, wave jaw faces	Set of 4		N/A	N/A
01/4541	50mm x 100mm, diamond jaw faces	Set of 4		N/A	N/A
01/4542	25mm x 25mm front face, 25mm x 50mm back face	Set of 4		N/A	N/A
01/4543	Carrier quick fit backing to enable quick jaw face changes	Set of 2		N/A	N/A
01/4544	50mm x 50mm, rubber faces for 01/4543	Set of 4		N/A	N/A



01/4529

Pneumatic Grips

Pneumatic operated grips

A range of pneumatic grips with either single or double actuator, single actuator grips have one side adjusted by manual tightening action either by thumb screw or T-bar, these grips are suitable for offset sample alignment for shear testing. Ideal for all types of flat samples, rubber, plastic film, plastic dumbbells, paper and cardboard, sheet metal, foils, wood, fabrics and composites (depends on rating)

All pneumatic grips are suitable for use with the foot and hand controls

Aluminium Anodised

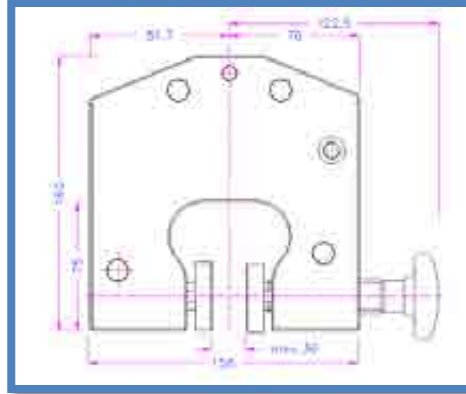
Temperature range 0 – to +70° C

(Other temperatures on request)

Part Number	Description	Quantity	Weight	Rating	Fixing
01/4545	Pneumatic vice grip, without faces, internal actuator	Pair	3.2Kg	7kN	5/8 inch

Face options

Part Number	Description	Quantity	Weight	Opening	Temp °C
01/4546	40mm x 60mm, plain jaw faces,	Set of 4	350g	0-10mm	+20 to +180
01/4547	40mm x 60mm, rubber jaw faces	Set of 4	360g	0-10mm	-70 to +70
01/4548	40mm x 60mm, crosscut jaw faces	Set of 4	330g	0-10mm	-70 to +180
01/4549	40mm x 60mm, V notch jaw faces, 40mm clamping height	Set of 4	320g	4-12mmØ	-70 to +180
01/4550	40mm x 60mm, wave jaw faces	Set of 4	400g	0-10mm	-70 to +180
01/4551	40mm x 60mm, diamond jaw faces	Set of 4	350g	0-10mm	-70 to +180
01/4552	40mm x 100mm, plain jaw faces,	Set of 4	720g	0-10mm	+20 to +180
01/4553	40mm x 100mm, rubber jaw faces	Set of 4	740g	0-10mm	-70 to +70
01/4554	40mm x 100mm, crosscut jaw faces	Set of 4	690g	0-10mm	-70 to +180
01/4555	40mm x 100mm, wave jaw faces	Set of 4	660g	0-10mm	-70 to +180
01/4556	40mm x 100mm, diamond jaw faces	Set of 4	720g	0-10mm	-70 to +180
01/4557	60mm x 200mm, wave jaw faces	Set of 4	3Kg	0-10mm	-70 to +180
01/4558	Carrier quick fit backing to enable quick jaw face changes	Set of 2	330g	N/A	-70 to +180
01/4559	50mm x 60mm, plain jaw faces, for 01/4558	Set of 4	290g	0-9mm	+20 to +180
01/4560	50mm x 60mm, rubber jaw faces, for 01/4558	Set of 4	300g	0-9mm	-70 to +180
01/4561	50mm x 60mm, crosscut jaw faces, for 01/4558	Set of 4	280g	0-9mm	-70 to +180
01/4562	50mm x 60mm, V notch jaw faces 50mm clamping height	Set of 4	260g	0-9mm	-70 to +180
01/4563	50mm x 60mm, wave jaw faces, for 01/4558	Set of 4	260g	0-9mm	-70 to +180
01/4564	50mm x 60mm, diamond jaw faces, for 01/4558	Set of 4	290g	0-9mm	-70 to +180
01/4565	Carrier quick fit backing to enable quick jaw face changes	Set of 2	690g	N/A	-70 to +180
01/4566	50mm x 60mm, plain jaw faces, for 01/4565	Set of 4	630g	0-9mm	+20 to +180
01/4567	50mm x 60mm, rubber jaw faces, for 01/4565	Set of 4	650g	0-9mm	-70 to +180
01/4568	50mm x 60mm, crosscut jaw faces, for 01/4565	Set of 4	600g	0-9mm	-70 to +180
01/4569	50mm x 60mm, wave jaw faces, for 01/4565	Set of 4	570g	0-9mm	-70 to +180
01/4570	50mm x 60mm, diamond jaw faces, for 01/4565	Set of 4	630g	0-9mm	-70 to +180



Pneumatic Grips

Pneumatic operated grips

A range of pneumatic grips with either single or double actuator, single actuator grips have one side adjusted by manual tightening action either by thumb screw or T-bar, these grips are suitable for offset sample alignment for shear testing. Ideal for all types of flat samples, rubber, plastic film, plastic dumbbells, paper and cardboard, sheet metal, foils, wood, fabrics and composites (depends on rating).

All pneumatic grips are suitable for use with the foot and hand controls.

Aluminium Anodised

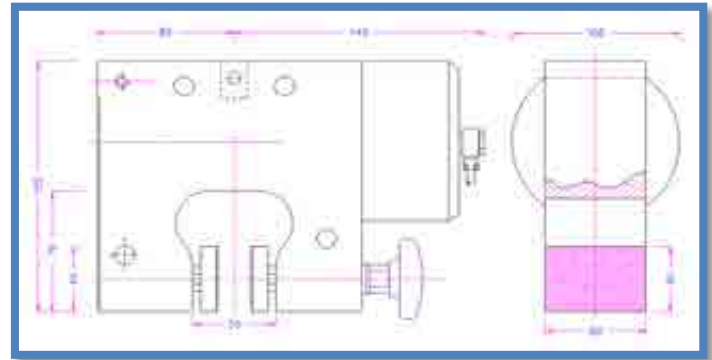
Temperature range 0 – to +70° C

(Other temperatures on request)

Part Number	Description	Quantity	Weight	Rating	Fixing
01/4571	Pneumatic vice grip, without faces, single actuator	Pair	4.5Kg	16kN	5/8 inch
01/4572	Pneumatic vice grip, without faces, dual actuator	Pair	4.5Kg	16kN	5/8 inch

Face Options

Part Number	Description	Quantity	Weight	Opening	Temp °C
01/4573	40mm x 60mm, plain faces	Set of 4	350g	0-10mm	+20 to +180
01/4574	40mm x 60mm, rubber faces	Set of 4	360g	0-10mm	-70 to +70
01/4575	40mm x 60mm, crosscut faces	Set of 4	330g	0-10mm	-70 to +180
01/4576	40mm x 60mm, V-notch faces, 40mm clamping height	Set of 4	320g	4-12mm	-70 to +180
01/4577	40mm x 60mm, wave faces	Set of 4	400g	0-10mm	-70 to +180
01/4578	40mm x 60mm, diamond faces	Set of 4	350g	0-10mm	-70 to +180
01/4579	40mm x 100mm, plain faces	Set of 4	720g	0-10mm	-70 to +180
01/4580	40mm x 100mm, rubber faces	Set of 4	740g	0-10mm	+20 to +180
01/4581	40mm x 100mm, crosscut faces	Set of 4	690g	0-10mm	-70 to +70
01/4582	40mm x 60mm, wave faces	Set of 4	660g	0-10mm	-70 to +180
01/4583	40mm x 60mm, diamond faces	Set of 4	720g	0-10mm	-70 to +180
01/4584	60mm x 200mm, wave faces	Set of 4	3000g	0-10mm	-70 to +180
01/4585	Carrier quick fit backing to enable quick jaw face changes	Set of 2	330g	N/A	-70 to +180
01/4586	50mm x 60mm, plain faces, for 01/4585	Set of 4	290g	0-9mm	+20 to +180
01/4587	50mm x 60mm, rubber faces, for 01/4585	Set of 4	300g	0-9mm	-70 to +180
01/4588	50mm x 60mm, crosscut faces, for 01/4585	Set of 4	280g	0-9mm	-70 to +180
01/4589	50mm x 60mm, wave faces, for 01/4585	Set of 4	260g	0-9mm	-70 to +180
01/4590	50mm x 60mm, diamond faces, for 01/4585	Set of 4	290g	0-9mm	-70 to +180
01/4591	Carrier quick fit backing to enable quick jaw face changes	Set of 2	690g	N/A	-70 to +180
01/4592	50mm x 100mm, plain faces, for 01/4591	Set of 4	630g	0-9mm	+20 to +180
01/4593	50mm x 100mm, rubber faces, for 01/4591	Set of 4	650g	0-9mm	-70 to +180
01/4594	50mm x 100mm, crosscut faces, for 01/4591	Set of 4	600g	0-9mm	-70 to +180
01/4595	50mm x 100mm, wave faces, for 01/4591	Set of 4	570g	0-9mm	-70 to +180
01/4596	50mm x 100mm, diamond faces, for 01/4591	Set of 4	630g	0-9mm	-70 to +180



Pneumatic Grips

Pneumatic operated grips

A range of pneumatic grips with either single or double actuator, single actuator grips have one side adjusted by manual tightening action either by thumb screw or T-bar, these grips are suitable for offset sample alignment for shear testing. Ideal for all types of flat samples, rubber, plastic film, plastic dumbbells, paper and cardboard, sheet metal, foils, wood, fabrics and composites (depends on rating).

All pneumatic grips are suitable for use with the foot and hand controls.

Aluminium Anodised

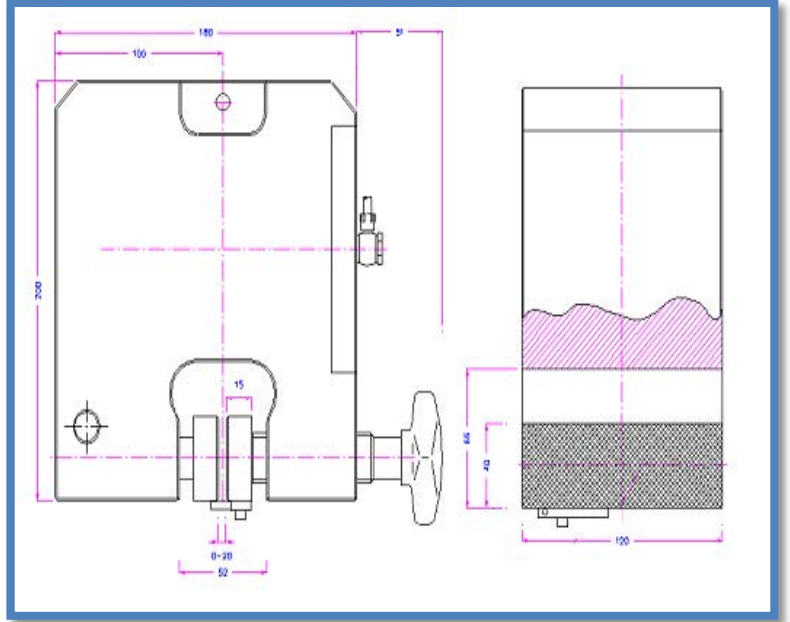
Temperature range 0 – to +70° C

(Other temperatures on request)

Part Number	Description	Quantity	Weight	Rating	Fixing
01/4597	Pneumatic vice grip, without faces, single actuator	Pair	11Kg	30kN	1 1/4 inch

Face Options

Part Number	Description	Quantity	Weight	Opening
01/4598	40mm x 120mm, plain faces	Set of 4	1.08kg	0-12mm
01/4599	40mm x 120mm, rubber faces	Set of 4	1.09kg	0-10mm
01/4600	40mm x 120mm, crosscut faces	Set of 4	1.04kg	0-12mm
01/4601	40mm x 120mm, wave faces	Set of 4	1.02kg	0-12mm
01/4602	40mm x 120mm, V-notch faces, 6mm to 17mm Ø samples	Set of 4	0.83kg	6-17mm
01/4603	40mm x 120mm, diamond faces	Set of 4	1.08kg	0-12mm
01/4604	60mm x 200mm, wave faces	Set of 4	3.61kg	0-8mm
01/4605	60mm x 210mm, wave faces	Set of 4	3.76kg	0-8mm



Pneumatic Grips

Pneumatic operated grips

A range of pneumatic grips with either single or double actuator, single actuator grips have one side adjusted by manual tightening action either by thumb screw or T-bar, these grips are suitable for offset sample alignment for shear testing. Ideal for all types of flat samples, rubber, plastic film, plastic dumbbells, paper and cardboard, sheet metal, foils, wood, fabrics and composites (depends on rating).

All pneumatic grips are suitable for use with the foot and hand controls.

Aluminium Anodised

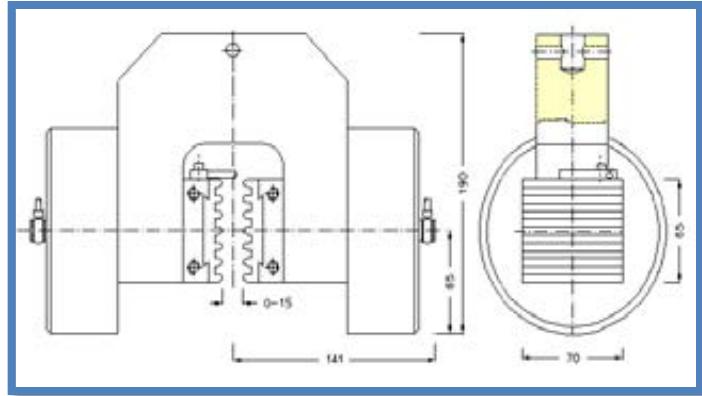
Temperature range 0 – to +70° C

(Other temperatures on request)

Part Number	Description	Quantity	Weight	Rating	Fixing
01/4606	Pneumatic vice grip, without faces, dual actuator	Pair	7Kg	11kN	1 1/4 inch

Face Options

Part Number	Description	Quantity	Weight	Opening
01/4607	65mm x 70mm, plain jaw faces	Set of 4	500g	0-15mm
01/4608	65mm x 70mm, crosscut faces	Set of 4	500g	0-15mm
01/4609	65mm x 70mm, rubber faces	Set of 4	500g	0-15mm
01/4610	65mm x 70mm, wave faces	Set of 4	500g	0-15mm



Pneumatic Grips

Pneumatic control systems

A range of pneumatic control systems suitable for all pneumatic grips

Part Number	Description	Quantity
01/4611	Set Of two foot pedals for use With all Pneumatic Grips. Grips open When pedal is depressed And close When pedal is released. Includes all tubes And fittings	Pair
01/4612	Set Of two foot pedals for use With all Pneumatic Grips. Pedals Are latched so Grips remain closed When the pedal is depressed And Are open When the pedal is released. Includes all tubes And fittings	Pair
01/4613	Pressure regulator for 1 - 10 bar adjustment	Single
01/4614	Set Of hand switches for use With all Pneumatic Grips. Grips Are open With the handle in One position And closed in the other position. Includes all tubes And fittings	Pair
01/4615	Micro hand switches for all Pneumatic Grips. The switch is mounted on the Grip body And will open And close the individual Grip. Includes all tubes And fittings	Pair
01/4616	Additional set Of tubes And fittings for PG251 series switches	Single



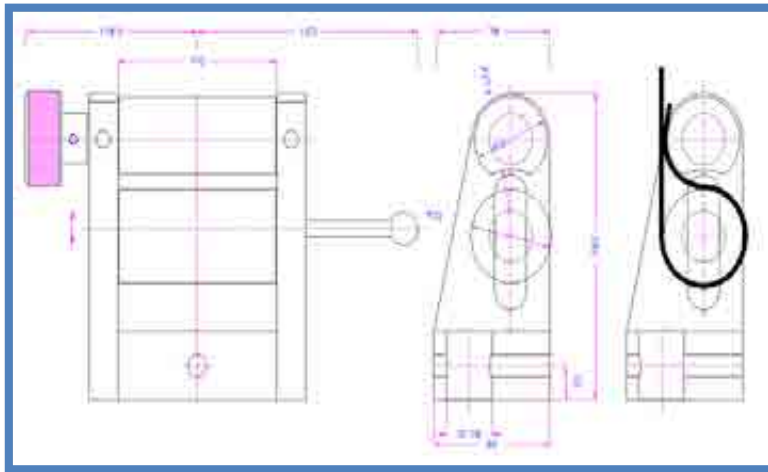
Webbing and Ribbon

Webbing, strapping and ribbon grips

A range of grips with a split-C design which allows the user to wrap the sample around a self tightening roller, the action of feeding the sample back upon itself by winding the sample in to the grip also aids the sample gripping force. Samples can be manually pre-tensioned before a test starts

Steel hardened, phosphate coated
Temperature Range 0 to +130° C

Part Number	Description	Maximum Sample Width	Quantity	Rating	Fixing
01/4629	Twin roller ribbon and webbing grip	110mm	Pair	50kN	1 ¼ inch
01/4630	Twin roller ribbon and webbing grip	200mm	Pair	50kN	1 ¼ inch
01/4631	Single bollard with screw action vice	20mm	Pair	20kN	5/8 inch
01/4632	Single bollard with screw action vice	40mm	Pair	20kN	5/8 inch
01/4633	Single bollard with screw action vice	60mm	Pair	20kN	5/8 inch
01/4634	Split C, with roller locking and sample tightening, 30mm Ø	80mm	Pair	20kN	5/8 inch
01/4635	Split C, with roller locking and sample tightening, 40mm Ø	80mm	Pair	50kN	1 ¼ inch
01/4636	Split C, with roller locking and sample tightening, 60mm Ø	80mm	Pair	100kN	1 ¼ inch
01/4637	Split C, with roller locking and sample tightening, 80mm Ø	100mm	Pair	100kN	1 ¼ inch
01/4638	Split C, with moveable counter jaw and lever tightening	100mm	Pair	20kN	5/8 inch
01/4639	Split C, with moveable counter jaw and lever tightening	150mm	Pair	20kN	5/8 inch
01/4640	Split C, with moveable counter jaw and lever tightening	200mm	Pair	20kN	5/8 inch
01/4641	Split C, with moveable counter jaw and lever tightening	70mm	Pair	50kN	1 ¼ inch
01/4642	Ribbon grip with 40mm Ø roller, sample up to 2.5mm thick	22mm	Pair	1kN	5/8 inch
01/4643	Ribbon grip with 40mm Ø roller, sample up to 2.5mm thick	25mm	Pair	1kN	5/8 inch



01/4629



01/4631



01/4634



01/4636



01/4642



01/4642

20kN Scissor Grip

Self-tightening and self-aligning scissor grip

The initial grip is provided by spring tension. The ratio of clamping force to tensile force changes according to the opening width. The larger the opening the stronger the grips tightens on the specimen. The jaws tighten themselves during force application. The grip has a lock open function to aid sample fitting.

Ideal for all types of flat samples, rubber, plastic film, plastic dumbbells, paper and cardboard, sheet metal and foils

Part Number	01/4201
Maximum Rating	20kN
Sample Thickness	0mm – 25mm <i>(depends on face option)</i>
Sample Width	50mm and 100mm
Material	Stainless Steel
Temperature Range	- 70° C to +130° C
Weight Per grip	2 Kg <i>(without jaws)</i>
Fixing Type	5/8 inch

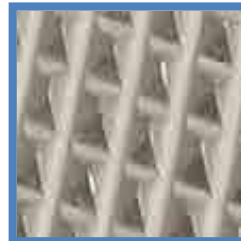
Face Options

Part Number	Finish	Dimensions H x W	Weight
01/4205	Plain	25mm x 50mm – 25mm opening	340g <i>(set)</i>
01/4206	Crosscut	25mm x 50mm – 25mm opening	330g <i>(set)</i>
01/4207	Crosscut Round	25mm x 52mm – 20mm opening	310g <i>(set)</i>
01/4208	V-Notch	4mm – 15mm Ø samples	450g <i>(set)</i>
01/4209	Wave	25mm x 50mm	320g <i>(set)</i>
01/4210*	Plain	25mm x 100mm	740g <i>(set)</i>
01/4211*	Crosscut	25mm x 100mm	720g <i>(set)</i>
01/4212*	Wave	25mm x 100mm	690g <i>(set)</i>

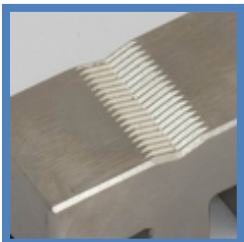
* 100mm wide faces restrict capacity to 10kN



01/4205 Plain Face
Steel without coating
Suitable for own treatment



01/4206 Crosscut Face 1.25 x 45° Pitch
Hardened Steel 58HRC
Nickel Plated

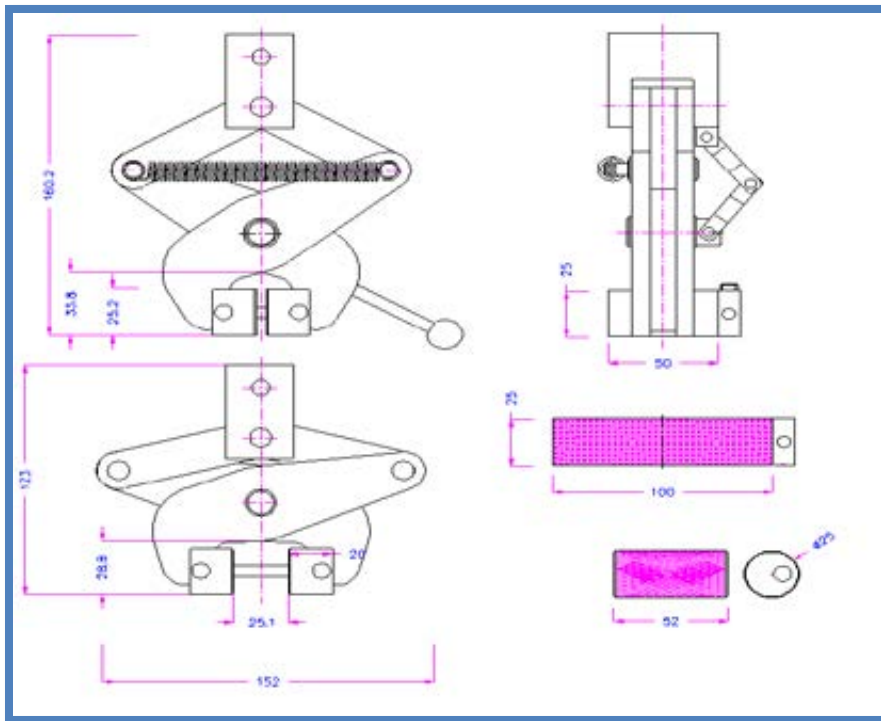


01/4208 V-Notch Face – round samples
Tooth Pitch 1.2mm
Hardened Steel 58 HRC
Nickel Plated



01/4209 Wave Faces – textile samples
5mm Wave
Hardened Steel 58 HRC
Nickel Plated

20kN Scissor Grip



2kN Scissor Grip

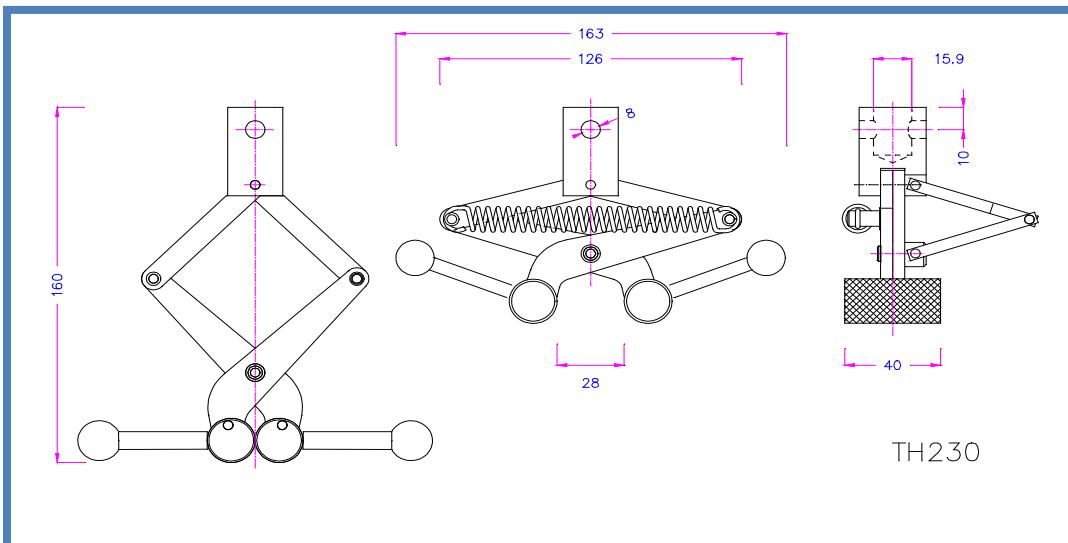
Self-tightening and self-aligning scissor grip

The initial grip is provided by spring tension. The ratio of clamping force to tensile force changes according to the opening width. The larger the opening the stronger the grips tightens on the specimen. The jaws tighten themselves during force application.

Ideal for all types of flat samples, rubber, plastic film, plastic dumbbells, paper and cardboard, sheet metal and foils

Grips include crosscut faces 20mm diameter, 40mm wide

Part Number	01/4199
Maximum Rating	2kN
Sample Thickness	0mm – 28mm
Sample Width	40mm
Material	Hardened Steel 58 HRC, Nickel Plated
Temperature Range	-0° C to +130° C
Weight Per grip	583g
Fixing Type	5/8 inch



50kN Scissor Grip

Self-tightening and self-aligning scissor grip

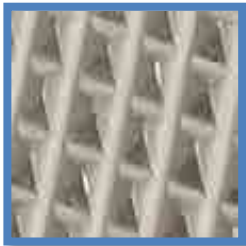
The initial grip is provided by spring tension. The ratio of clamping force to tensile force changes according to the opening width. The larger the opening the stronger the grips tightens on the specimen. The jaws tighten themselves during force application.

Ideal for all types of samples, rubber, thick plastic sheet, plastic dumbbells, cardboard, sheet metal, wood and composites

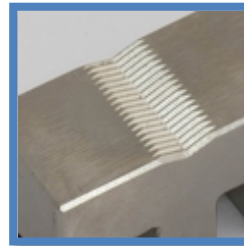
Part Number	01/4202
Maximum Rating	50kN
Sample Thickness	0mm – 48mm <i>(depends on face option)</i>
Sample Width	100mm
Material	Steel, Manganese Phosphate Coating
Temperature Range	-0° C to +130° C <i>(other available on request)</i>
Weight Per grip	9.1Kg <i>(without jaws)</i>
Fixing Type	5/8 inch

Face Options

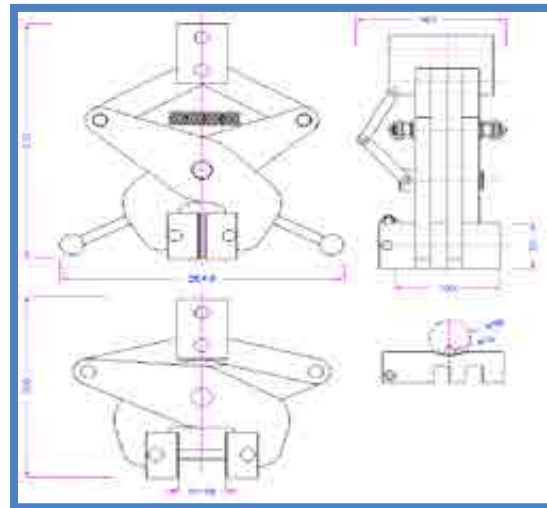
Part Number	Finish	Dimensions H x W	Weight
01/4213	Crosscut	50mm x 100mm	1.9Kg <i>(set)</i>
01/4214	V-Notch	10mm to 48mm Ø samples	2.0Kg <i>(set)</i>



01/4213 Crosscut Face 1.2 x 45° Pitch
Hardened Steel 58HRC
Nickel Plated



01/4214 V-Notch Faces Tooth Pitch 1.2mm
Hardened Steel 58HRC
Nickel Plated



5kN Scissor Grip

Self-tightening and self-aligning scissor grip

The initial grip is provided by spring tension. The ratio of clamping force to tensile force changes according to the opening width. The larger the opening the stronger the grips tightens on the specimen. The jaws tighten themselves during force application.

Ideal for all types of flat samples, rubber, plastic film, plastic dumbbells, paper and cardboard, sheet metal and foils

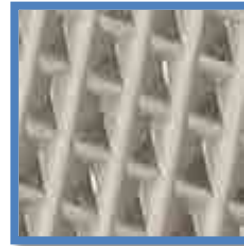
Part Number	01/4200
Maximum Rating	5kN
Sample Thickness	0mm – 19mm
Sample Width	50mm
Material	Stainless Steel
Temperature Range	- 70° C to +130° C
Weight Per grip	980g (<i>without jaws</i>)
Fixing Type	5/8 inch

Face Options

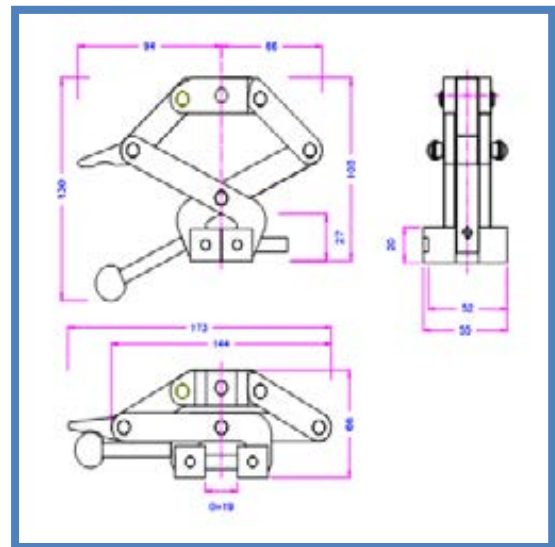
Part Number	Finish	Dimensions H x W	Weight
01/4203	Plain	20mm x 50mm	240g (set)
01/4204	Crosscut	20mm x 50mm	240g (set)



01/4203 Plain Face
Steel without coating
Suitable for own treatment



01/4204 Crosscut Face 1.25 x 45° Pitch
Hardened Steel 58HRC
Nickel Plated



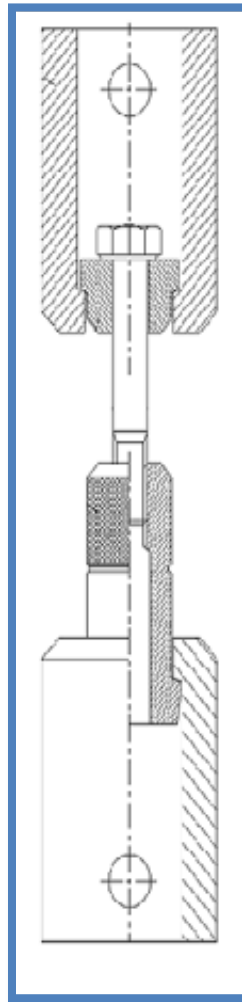
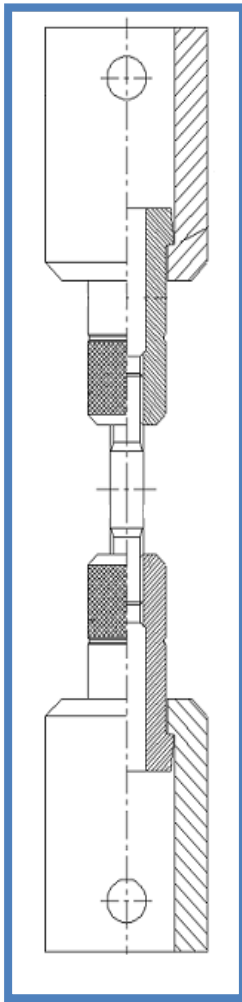
Thread Head Grips

Thread head grips consist of a two part fixture, the main body is chosen to fit the eye end of the machine and Loadcell and the insert is chosen to fit the diameter of the thread on the sample. Samples are machined dumbbells with metric threads

Inserts are also available for bolts and screws

Steel
Temperature ranges -70 - +230 °C
(Other temperature on request)

Part Number	Description	Rating	Fixing
01/4717	15.9mm (5/8 inch) eye end adaptor	20kN	5/8 inch
01/4718	Inserts, M3, M4, M5, M6 and M8	20kN	5/8 inch
01/4719	31.8mm (1 ¼ inch) eye end adaptor	100kN	1 ¼ inch
01/4720	Inserts in M3 to M16 in 1mm intervals	100kN	1 ¼ inch



Vice Grips

Manual operated vice grips

A range of vice grips with manual tightening action either by thumb screw or T-bar, grips are single action or dual action and allow for offset sample alignment for shear testing
Ideal for all types of flat samples, rubber, plastic film, plastic dumbbells, paper and cardboard, sheet metal, foils, wood, fabrics and composites (depends on rating)

Aluminium anodized
Temperature range 0 – to +130° C

Part Number	Description	Sample Thickness	Weight	Rating	Fixing
01/4215	Vice grip with crosscut jaw faces, 15mm x 15mm U shaped design	0 – 8mm	63g	100N	5/8 inch
01/4216	Vice grip with crosscut jaw faces, inline design	0 – 8mm	43g	100N	5/8 inch

Part Number	Description	Quantity	Rating	Fixing
01/4217	15mm x 15mm plain jaw set for 01/4215 and 01/4216	Set of 4	100N	5/8 inch
01/4218	15mm x 15mm rubber jaw set for 01/4215 and 01/4216	Set of 4	100N	5/8 inch
01/4219	15mm x 15mm crosscut jaw set for 01/4215 and 01/4216	Set of 4	100N	5/8 inch
01/4220	8mm male to 5/8 inch female adaptor for 01/4215 and 01/4216	Single	100N	5/8 inch



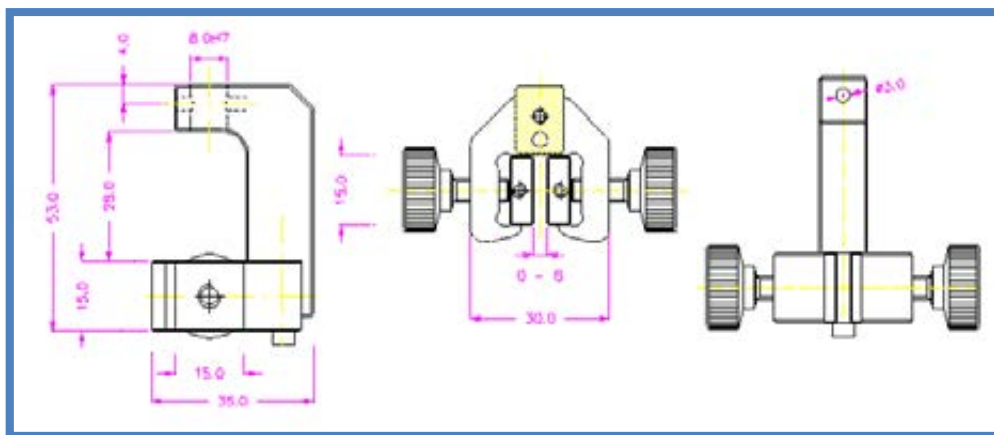
01/4215



01/4216



01/4215



Vice Grips

Manual operated vice grips

A range of vice grips with manual tightening action either by thumb screw or T-bar, grips are single action or dual action and allow for offset sample alignment for shear testing
Ideal for all types of flat samples, rubber, plastic film, plastic dumbbells, paper and cardboard, sheet metal, foils, wood, fabrics and composites (depends on rating)

Aluminium anodized
Temperature range 0 – to +130° C

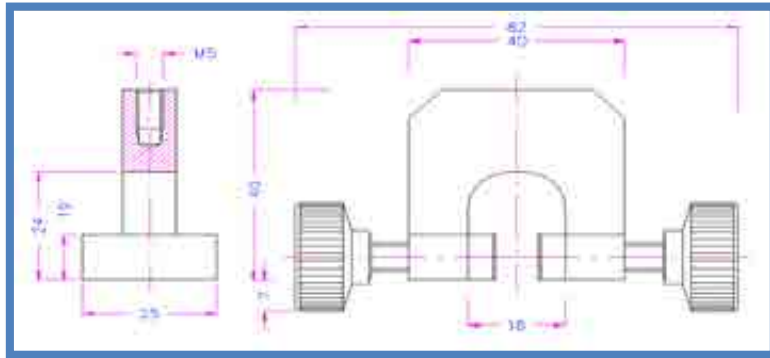
Part Number	Description	Quantity	Weight	Rating	Fixing
01/4221	Vice grip, 0 – 8mm opening, without faces	Pair	60g	100N	M5 F
01/4222	Vice grip, 0 – 46mm opening without faces	Pair	89g	100N	M5 F

Face Options

Part Number	Description	Quantity	Rating	Weight
01/4223	10mm x 25mm plain jaw faces	Set of 4	100N	18g
01/4224	10mm x 25mm rubber jaw faces	Set of 4	100N	19g
01/4225	10mm x 25mm crosscut jaw faces	Set of 4	100N	17g
01/4226	10mm x 25mm diamond jaw faces	Set of 4	100N	18g
01/4227	10mm x 50mm plain jaw faces	Set of 4	100N	46g
01/4228	10mm x 50mm rubber jaw faces	Set of 4	100N	48g
01/4229	10mm x 50mm crosscut jaw faces	Set of 4	100N	43g
01/4230	10mm x 50mm diamond jaw faces	Set of 4	100N	46g
01/4231	10mm x 50mm plain jaw faces	Set of 4	100N	92g
01/4232	10mm x 100mm rubber jaw faces	Set of 4	100N	95g
01/4233	10mm x 100mm crosscut jaw faces	Set of 4	100N	86g
01/4784	10mm x 100mm diamond jaw faces	Set of 4	100N	92g



01/4221



Blank Jaws
Suitable for own treatment
No coating



Rubber Jaws
1mm NBR rubber
Nickel plated



Crosscut Jaws
0.8 x 45° crosscut
Hardened 58HRC



Diamond Jaws
Synthetic diamond coated
Nickel plated

Manual operated vice grips

A range of vice grips with manual tightening action either by thumb screw or T-bar, grips are single action or dual action and allow for offset sample alignment for shear testing

Ideal for all types of flat samples, rubber, plastic film, plastic dumbbells, paper and cardboard, sheet metal, foils, wood, fabrics and composites (depends on rating)

Aluminium

Temperature range 0 – to +180° C

Pneumatic versions available

Part Number	Description	Quantity	Weight	Rating	Fixing
01/4234	Vice grip, 0 – 10mm opening without faces	Pair	290g	2.5kN	5/8 inch
01/4235	Vice grip, 0 – 20mm opening without faces	Pair	330g	1kN	5/8 inch
01/4236	Vice grip, 0 – 30mm opening without faces	Pair	320g	1kN	5/8 inch
01/4237	Vice grip, 0 – 50mm opening without faces	Pair	570g	1kN	5/8 inch

Face Options

Part Number	Description	Quantity	Rating	Weight
01/4238	30mm x 30mm plain jaw faces	Set of 4	2.5kN	130g
01/4239	30mm x 30mm rubber jaw faces	Set of 4	2.5kN	130g
01/4240	30mm x 30mm crosscut jaw faces	Set of 4	2.5kN	120g
01/4241	30mm x 30mm V-notch jaw faces	Set of 4	2.5kN	120g
01/4242	30mm x 30mm V-notch jaw faces	Set of 4	2.5kN	130g
01/4243	30mm x 30mm wave jaw faces	Set of 4	2.5kN	120g
01/4244	30mm x 30mm diamond jaw faces	Set of 4	2.5kN	130g
01/4245	30mm x 50mm plain jaw faces	Set of 4	2.5kN	220g
01/4246	30mm x 50mm rubber jaw faces	Set of 4	2.5kN	230g
01/4247	30mm x 50mm crosscut jaw faces	Set of 4	2.5kN	210g
01/4248	30mm x 50mm wave jaw faces	Set of 4	2.5kN	200g
01/4249	30mm x 50mm diamond jaw faces	Set of 4	2.5kN	220g
01/4250	30mm x 80mm plain jaw faces	Set of 4	2.5kN	360g
01/4251	30mm x 80mm rubber jaw faces	Set of 4	2.5kN	370g
01/4252	30mm x 80mm crosscut jaw faces	Set of 4	2.5kN	350g
01/4253	30mm x 80mm wave jaw faces	Set of 4	2.5kN	320g
01/4254	30mm x 80mm diamond jaw faces	Set of 4	2.5kN	360g
01/4255	30mm x 100mm plain jaw faces	Set of 4	2.5kN	450g
01/4256	30mm x 100mm rubber jaw faces	Set of 4	2.5kN	460g
01/4257	30mm x 100mm crosscut jaw faces	Set of 4	2.5kN	450g
01/4258	30mm x 100mm wave jaw faces	Set of 4	2.5kN	510g
01/4259	30mm x 100mm diamond jaw faces	Set of 4	2.5kN	450g
01/4260	Carrier quick fit backing to enable quick jaw face changes	Set of 2	2.5kN	120g
01/4261	30mm x 36mm plain jaw faces for use with 01/4260	Set of 4	2.5kN	50g
01/4262	30mm x 36mm rubber jaw faces for use with 01/4260	Set of 4	2.5kN	60g
01/4263	30mm x 36mm crosscut jaw faces for use with 01/4260	Set of 4	2.5kN	50g
01/4264	30mm x 36mm diamond jaw faces for use with 01/4260	Set of 4	2.5kN	50g

V-Notch recommended sample diameters with 30mm gripping height

	01/4234	01/4235	01/4236	01/4237
01/4241	Ø 2mm – 9mm	Ø 2mm – 20mm	Ø 2mm – 30mm	Ø 2mm – 50mm
01/4242	Ø 3mm – 9mm	Ø 3mm – 20mm	Ø 3mm – 30mm	Ø 3mm – 50mm



01/4234



01/4237



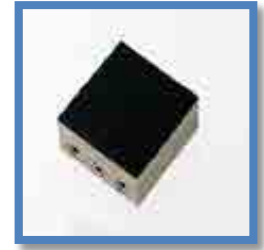
Plain Faces –steel
Suitable for own treatment



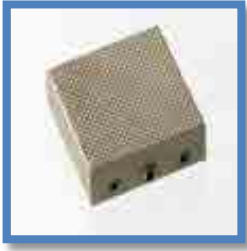
Diamond Faces
Synthetic diamond coated



Wave Faces
5mm wave
Hardened steel 58HRC



Rubber Faces
1mm NBR rubber



Crosscut Faces
1.2 x 45° pitch
Hardened steel 58 HRC



Carrier 01/4260
Fitted with plain jaw



Carrier 01/4260



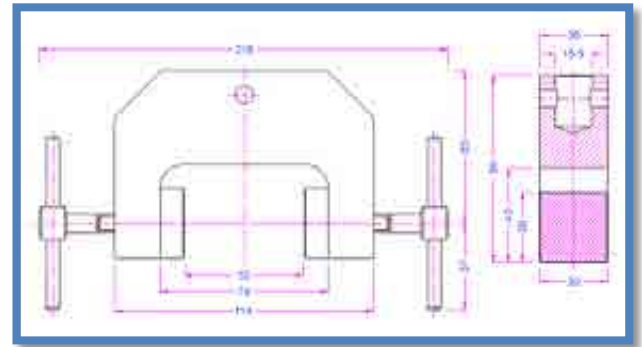
Rubber Faces
1mm NBR rubber



V-notch Faces
1.2mm pitch
Tempered steel 58HRC



V-notch Faces
1.2mm pitch
Tempered steel 58HRC



Vice Grips

Manual operated vice grips

A range of vice grips with manual tightening action either by thumb screw or T-bar, grips are single action or dual action and allow for offset sample alignment for shear testing

Ideal for all types of flat samples, rubber, plastic film, plastic dumbbells, paper and cardboard, sheet metal, foils, wood, fabrics and composites (depends on rating)

Aluminium

Temperature range 0 – to +180° C

Pneumatic versions available

Part Number	Description	Quantity	Weight	Rating	Fixing
01/4265	Vice grip, 0 – 24mm opening, without faces	Pair	1.3Kg	5kN	5/8 inch
01/4266	Vice grip, 0 – 50mm opening, without faces	Pair	1.3kg	5kN	5/8 inch
01/4267	Vice grip, 0 – 100mm opening, without faces	Pair	2.22kg	5kN	5/8 inch

Face Options

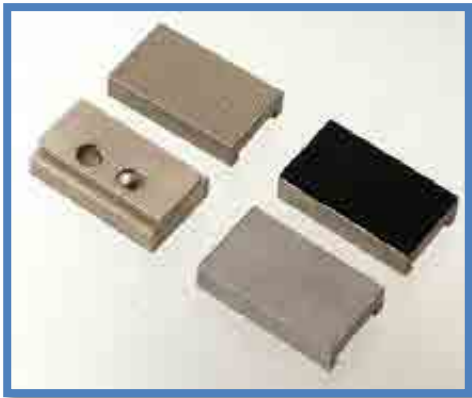
Part Number	Description	Quantity	Rating	Weight	Opening VG040	Opening VG040-50	Opening VG040-100
01/4268	Quick release lever for VG049	Single	5kN	N/A	N/A	N/A	N/A
01/4269	30mm x 50mm plain jaw faces	Set of 4	5kN	220g	0-30mm	0-50mm	N/A
01/4270	30mm x 50mm rubber jaw faces	Set of 4	5kN	220g	0-28mm	0-50mm	N/A
01/4271	30mm x 50mm crosscut jaw faces	Set of 4	5kN	210g	0-30mm	0-50mm	N/A
01/4272	30mm x 50mm wave jaw faces	Set of 4	5kN	200g	0-30mm	0-50mm	N/A
01/4273	30mm x 50mm V-notch jaw faces	Set of 4	5kN	220g	Ø 2-50mm	Ø 2-50mm	N/A
01/4274	30mm x 50mm V-notch jaw faces	Set of 4	5kN	250g	Ø 5-50mm	Ø 5-50mm	N/A
01/4275	30mm x 50mm diamond jaw faces	Set of 4	5kN	220g	0-30mm	0-50mm	N/A
01/4276	30mm x 80mm plain jaw faces	Set of 4	5kN	430g	0-26mm	0-48mm	10-100mm
01/4277	30mm x 80mm rubber jaw faces	Set of 4	5kN	440g	0-24mm	0-46mm	8-98mm
01/4278	30mm x 80mm crosscut jaw faces	Set of 4	5kN	420g	0-26mm	0-48mm	10-100mm
01/4279	30mm x 80mm wave jaw faces	Set of 4	5kN	390g	0-26mm	0-48mm	10-100mm
01/4280	30mm x 80mm diamond jaw faces	Set of 4	5kN	430g	0-26mm	0-48mm	10-100mm
01/4281	30mm x 100mm plain jaw faces	Set of 4	5kN	540g	0-26mm	0-48mm	10-100mm
01/4282	30mm x 100mm rubber jaw faces	Set of 4	5kN	550g	0-24mm	0-46mm	8-98mm
01/4283	30mm x 100mm crosscut jaw faces	Set of 4	5kN	530g	0-26mm	0-48mm	10-100mm
01/4284	30mm x 100mm wave jaw faces	Set of 4	5kN	510g	0-26mm	0-48mm	10-100mm
01/4285	30mm x 100mm diamond jaw faces	Set of 4	5kN	540g	0-26mm	0-48mm	10-100mm
01/4286	Carrier quick fit backing to enable quick jaw face changes	Set of 4	5kN	180g	N/A	N/A	N/A
01/4287	30mm x 50mm plain jaw faces for use with 01/4286	Set of 4	5kN	140g	0-20mm	0-30mm	N/A
01/4288	30mm x 50mm rubber jaw faces for use with 01/4286	Set of 4	5kN	140g	0-18mm	0-30mm	N/A
01/4289	30mm x 50mm crosscut jaw faces for use with 01/4286	Set of 4	5kN	130g	0-20mm	0-30mm	N/A
01/4290	30mm x 50mm diamond jaw faces for use with 01/4286	Set of 4	5kN	140g	0-20mm	0-30mm	N/A



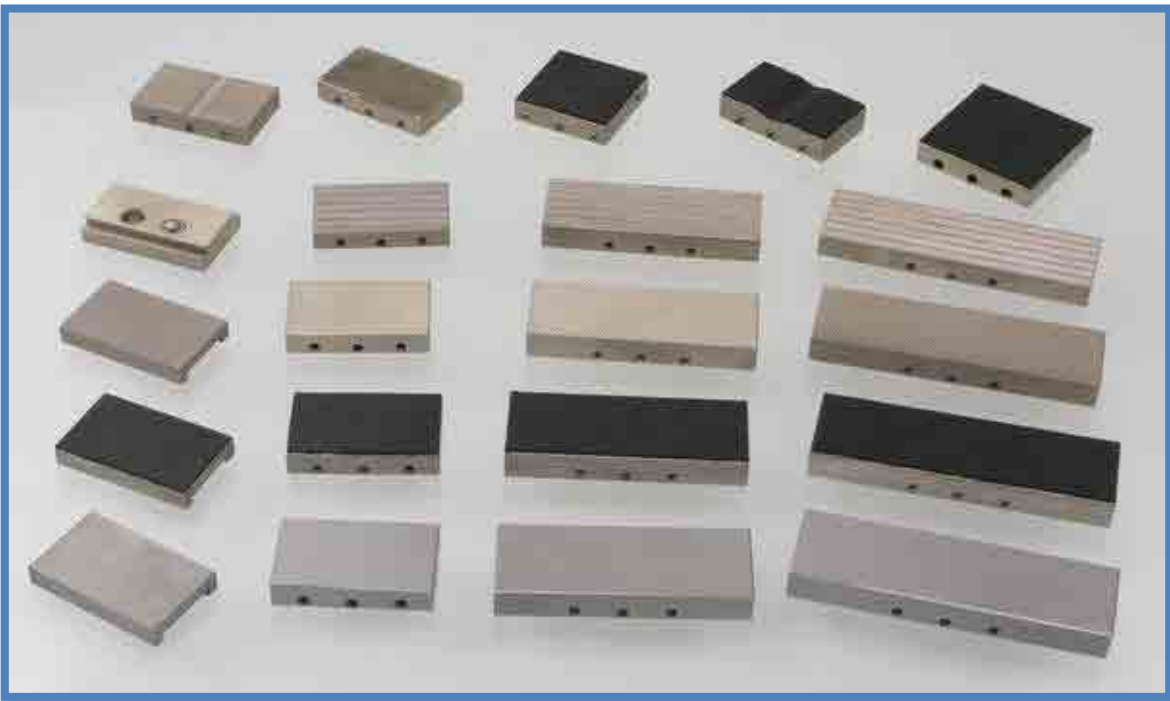
01/4265



01/4267



01/4268



Vice Grips

Manual operated vice grips

A range of vice grips with manual tightening action either by thumb screw or T-bar, grips are single action or dual action and allow for offset sample alignment for shear testing
Ideal for all types of flat samples, rubber, plastic film, plastic dumbbells, paper and cardboard, sheet metal, foils, wood, fabrics and composites (depends on rating)

Aluminium anodized
Temperature range 0 – to +180° C
Pneumatic versions available

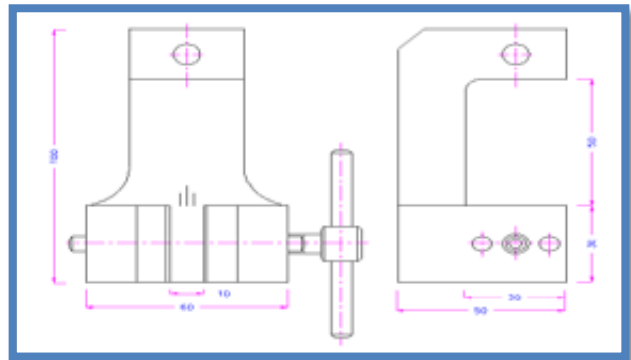
Part Number	Description	Quantity	Weight	Rating	Fixing
01/4291	Vice grip, 0 – 10mm opening without faces	Pair	390g	1kN	5/8 inch

Face Options

Part Number	Description	Opening	Quantity	Rating	Weight
01/4292	30mm x 30mm, plain jaw faces	0-10mm	Set of 4	1kN	130g
01/4293	30mm x 30mm, rubber jaw faces	0-8mm	Set of 4	1kN	130g
01/4294	30mm x 30mm, crosscut jaw faces	0-10mm	Set of 4	1kN	120g
01/4295	30mm x 30mm, V-notch jaw faces	Ø 2-10mm	Set of 4	1kN	130g
01/4296	30mm x 30mm, V-notch jaw faces	Ø 3-10mm	Set of 4	1kN	130g
01/4297	30mm x 30mm, wave jaw faces	0-10mm	Set of 4	1kN	120g
01/4298	30mm x 30mm, diamond jaw faces	0-10mm	Set of 4	1kN	130g
01/4299	Carrier quick fit backing to enable quick jaw face changes	N/A	Set of 4	1kN	120g
01/4300	30mm x 36mm, plain faces for use with 01/4299	0-4mm	Set of 4	1kN	60g
01/4301	30mm x 36mm, rubber faces for use with 01/4299	0-2mm	Set of 4	1kN	60g
01/4302	30mm x 36mm, crosscut faces for use with 01/4299	0-4mm	Set of 4	1kN	60g
01/4303	30mm x 36mm, diamond faces for use with 01/4299	0-4mm	Set of 4	1kN	60g



01/4291



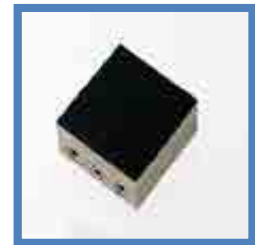
Plain Faces –steel
Suitable for own treatment



Diamond Faces
Synthetic diamond coated



Wave Faces
5mm wave
Hardened steel 58HRC



Rubber Faces
1mm NBR rubber

Vice Grips

Manual operated vice grips

A range of vice grips with manual tightening action either by thumb screw or T-bar, grips are single action or dual action and allow for offset sample alignment for shear testing
Ideal for all types of flat samples, rubber, plastic film, plastic dumbbells, paper and cardboard, sheet metal, foils, wood, fabrics and composites (depends on rating)

Aluminium anodized
Temperature range 0 – to +180° C
Pneumatic versions available

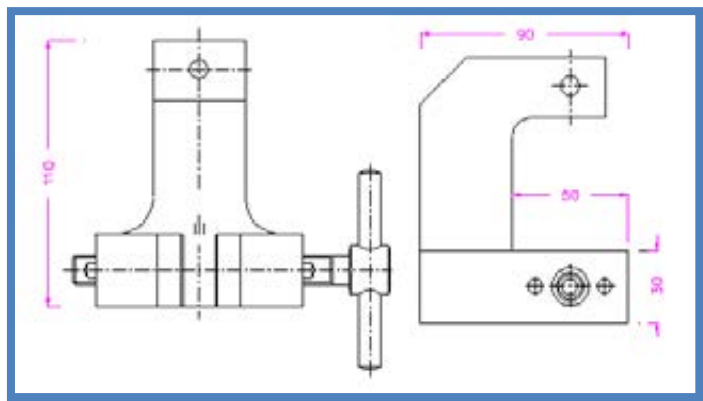
Part Number	Description	Quantity	Weight	Rating	Fixing
01/4304	Vice grip, 0 – 15mm opening without faces	Pair	1.7kg	5kN	5/8 inch

Face Options

Part Number	Description	Opening	Quantity	Rating	Weight
01/4305	Quick release lever for VG086	N/A	Single	5kN	N/A
01/4306	30mm x 50mm, plain jaw faces	0-15mm	Set of 4	5kN	220g
01/4307	30mm x 50mm, rubber jaw faces	0-13mm	Set of 4	5kN	220g
01/4308	30mm x 50mm, crosscut jaw faces	0-15mm	Set of 4	5kN	210g
01/4309	30mm x 50mm, V-notch jaw faces	Ø 2-15mm	Set of 4	5kN	220g
01/4310	30mm x 50mm, V-notch jaw faces	Ø 5-11mm	Set of 4	5kN	260g
01/4311	30mm x 50mm, wave jaw faces	0-15mm	Set of 4	5kN	200g
01/4312	30mm x 50mm, diamond jaw faces	0-15mm	Set of 4	5kN	220g
01/4313	Carrier quick fit backing to enable quick jaw face changes	N/A	Set of 4	5kN	180g
01/4314	30mm x 50mm, plain faces for use with 01/4313	0-5mm	Set of 4	5kN	140g
01/4315	30mm x 50mm, rubber faces for use with 01/4313	0-3mm	Set of 4	5kN	140g
01/4316	30mm x 50mm, crosscut faces for use with 01/4313	0-5mm	Set of 4	5kN	130g
01/4317	30mm x 50mm, diamond faces for use with 01/4313	0-5mm	Set of 4	5kN	140g



01/4304



Vice Grips

Manual operated vice grips

A range of vice grips with manual tightening action either by thumb screw or T-bar, grips are single action or dual action and allow for offset sample alignment for shear testing

Ideal for all types of flat samples, rubber, plastic film, plastic dumbbells, paper and cardboard, sheet metal, foils, wood, fabrics and composites (depends on rating)

Aluminium anodized

Temperature range 0 – to +180° C

Steel, manganese phosphate

Temperature range 0 – to +350°C

Part Number	Description	Quantity	Weight	Rating	Fixing
01/4318	Vice grip, without faces, aluminum	Pair	2.36kg	10kN	5/8 inch
01/4319	Vice grip, without faces, steel	Pair	5kg	20kN	5/8 inch

Face Options

Part Number	Description	Opening	Quantity	Rating	Weight
01/4320	40mm x 60mm, plain jaw faces	0-34mm	Set of 4	20kN	350g
01/4321	40mm x 60mm, rubber jaw faces	0-32mm	Set of 4	20kN	360g
01/4322	40mm x 60mm, crosscut jaw faces	0-34mm	Set of 4	20kN	330g
01/4323	40mm x 60mm, V-notch jaw faces, 40mm clamp surface	4-30mm Ø	Set of 4	20kN	350g
01/4324	40mm x 60mm, V-notch jaw faces, 40mm clamp surface	8-34mm Ø	Set of 4	20kN	320g
01/4325	40mm x 60mm, wave jaw faces	0-34mm	Set of 4	20kN	320g
01/4326	40mm x 60mm, diamond jaw faces	0-34mm	Set of 4	20kN	350g
01/4327	40mm x 100mm, plain jaw faces	0-30mm	Set of 4	20kN	720g
01/4328	40mm x 100mm, rubber jaw faces	0-28mm	Set of 4	20kN	740g
01/4329	40mm x 100mm, crosscut jaw faces	0-30mm	Set of 4	20kN	690g
01/4330	40mm x 100mm, wave jaw faces	0-30mm	Set of 4	20kN	660g
01/4331	40mm x 100mm, diamond jaw faces	0-30mm	Set of 4	20kN	720g
01/4332	40mm x 200mm, wave jaw faces	0-22mm	Set of 4	20kN	3kg
01/4333	Carrier quick fit backing to enable jaw face changes 50x60	N/A	Set of 4	20kN	330g
01/4334	40mm x 60mm, plain jaw faces, for use with 01/4333	0-22mm	Set of 4	20kN	290g
01/4335	40mm x 60mm, rubber jaw faces, for use with 01/4333	0-22mm	Set of 4	20kN	300g
01/4336	40mm x 60mm, crosscut jaw faces, for use with 01/4333	0-24mm	Set of 4	20kN	280g
01/4337	40mm x 60mm, wave jaw faces, for use with 01/4333	0-24mm	Set of 4	20kN	260g
01/4338	40mm x 60mm, diamond jaw faces, for use with 01/4333	0-24mm	Set of 4	20kN	290g
01/4339	Carrier quick fit backing to enable jaw face changes 50x100	N/A	Set of 4	20kN	690g
01/4340	40mm x 100mm, plain jaw faces, for use with 01/4339	0-16mm	Set of 4	20kN	630g
01/4341	40mm x 100mm, rubber jaw faces, for use with 01/4339	0-14mm	Set of 4	20kN	650g
01/4342	40mm x 100mm, crosscut jaw faces, for use with 01/4339	0-16mm	Set of 4	20kN	600g
01/4343	40mm x 100mm, wave jaw faces, for use with 01/4339	0-16mm	Set of 4	20kN	570g
01/4344	40mm x 100mm, diamond jaw faces, for use with 01/4339	0-16mm	Set of 4	20kN	630g



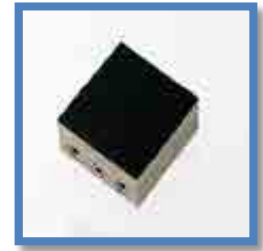
Plain Faces –steel
Suitable for own treatment



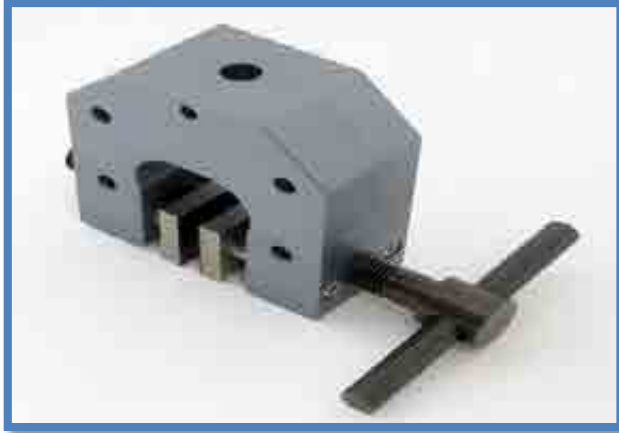
Diamond Faces
Synthetic diamond coated



Wave Faces
5mm wave
Hardened steel 58HRC



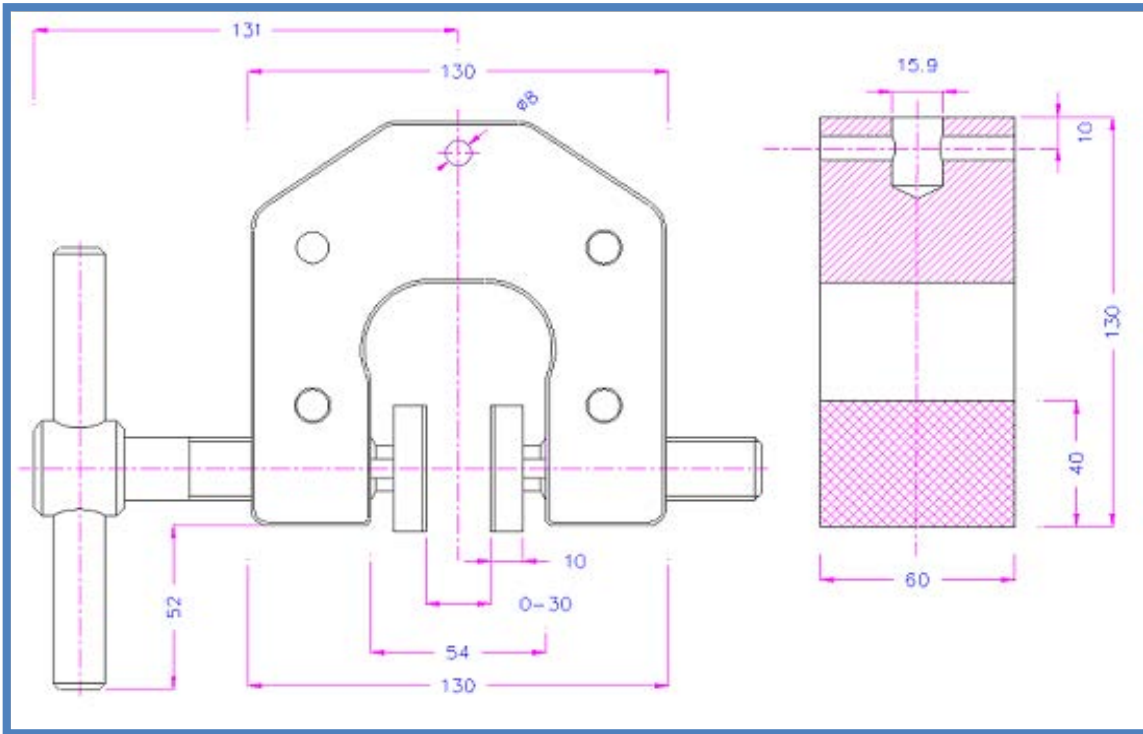
Rubber Faces
1mm NBR rubber



01/4318



01/4319



Vice Grips

Manual operated vice grips

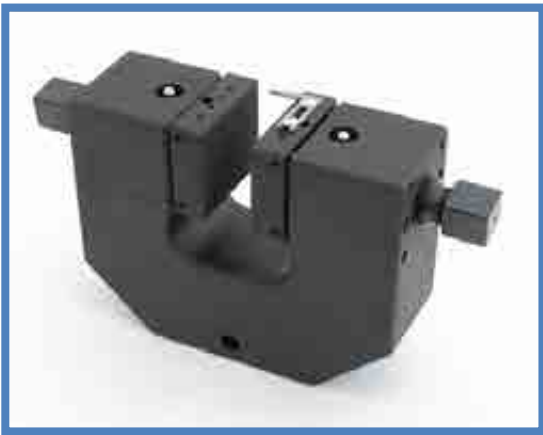
A range of vice grips with manual tightening action either by thumb screw or T-bar, grips are single action or dual action and allow for offset sample alignment for shear testing
Ideal for all types of flat samples, rubber, plastic film, plastic dumbbells, paper and cardboard, sheet metal, foils, wood, fabrics and composites (depends on rating)

Steel, manganese phosphate
Temperature range 0 – to +180° C

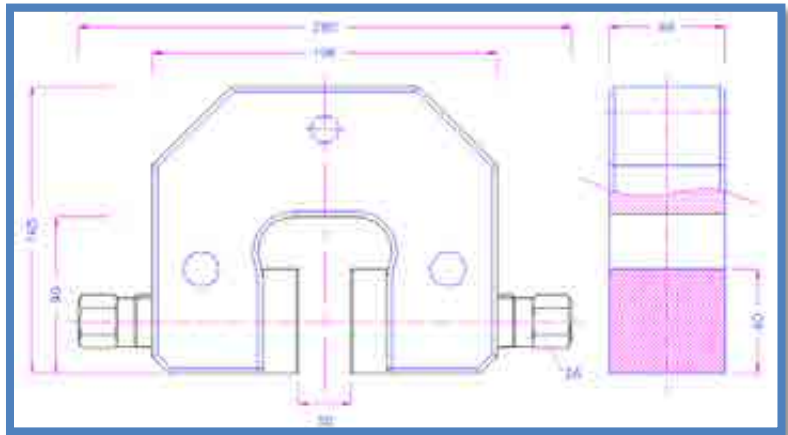
Part Number	Description	Quantity	Weight	Rating	Fixing
01/4345	Vice grip, without faces	Pair	12kg	50kN	1 ¼ inch

Face Options

Part Number	Description	Opening	Quantity	Rating	Weight
01/4346	60mm x 66mm, plain jaw faces	0-30mm	Set of 4	50kN	1.2kg
01/4347	60mm x 66mm, crosscut jaw faces	0-30mm	Set of 4	50kN	1.1kg
01/4348	60mm x 66mm, V-notch jaw faces	5-30mm Ø	Set of 4	50kN	1.1kg
01/4349	60mm x 66mm, wave jaw faces	0-30mm	Set of 4	50kN	1.1kg
01/4350	60mm x 66mm, diamond jaw faces	0-30mm	Set of 4	50kN	1.1kg
01/4351	70mm x 210mm, plain jaw faces	0-10mm	Set of 4	50kN	6.6kg
01/4352	70mm x 210mm, crosscut jaw faces	0-10mm	Set of 4	50kN	6.6kg
01/4353	70mm x 210mm, wave jaw faces	0-10mm	Set of 4	50kN	6.4kg



01/4345



Wedge Grips

Self Tightening wedge action grips

A range of wedge action grips for general tension testing of metals and plastic. The wedge design of the grip means the grip tightens on the sample as the force increases, initial force can be applied by various methods such as side lever, capstan action wheel or screw action. Faces are interchangeable for different samples types and dimensions.

Steel, manganese phosphate coated
Temperature range 0 – to +130° C

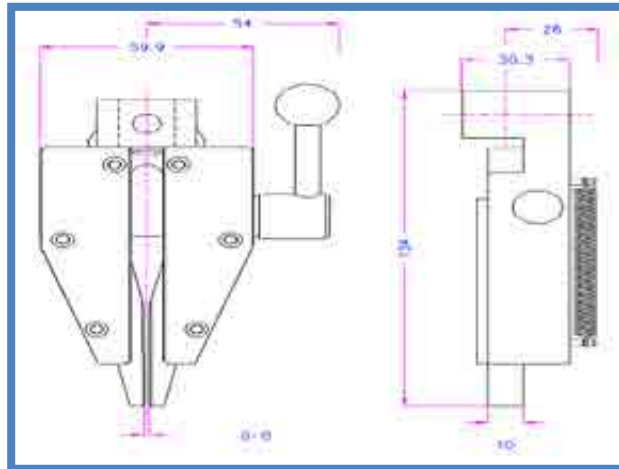
Part Number	Description	Weight	Rating	Fixing
01/4644	Wedge grip without faces	0.9kg	2kN	5/8 inch
01/4647	Wedge grip without faces	1.36kg	5kN	5/8 inch

Face options

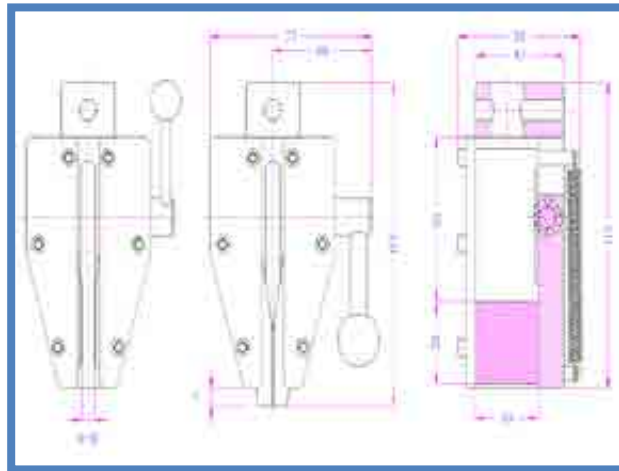
Part Number	Description	Opening	Quantity	Rating
01/4645	40mm x 10mm crosscut faces for 01/4644	0-10mm	Set of 4	2kN
01/4646	V-Notch faces, 2mm – 8mm Ø samples for 01/4644	2-10mm	Set of 4	2kN
01/4648	30mm x 30mm crosscut faces for 01/4647	0-10mm	Set of 4	5kN
01/4649	V-Notch faces, 2mm – 8mm Ø samples for 01/4647	2-10mm	Set of 4	5kN



01/4644



01/4645



Wedge Grips

Self Tightening wedge action grips

A range of wedge action grips for general tension testing of metals and plastic. The wedge design of the grip means the grip tightens on the sample as the force increases, initial force can be applied by various methods such as side lever, capstan action wheel or screw action. Faces are interchangeable for different samples types and dimensions.

Steel, manganese phosphate coated
Temperature range 0 – to +130° C

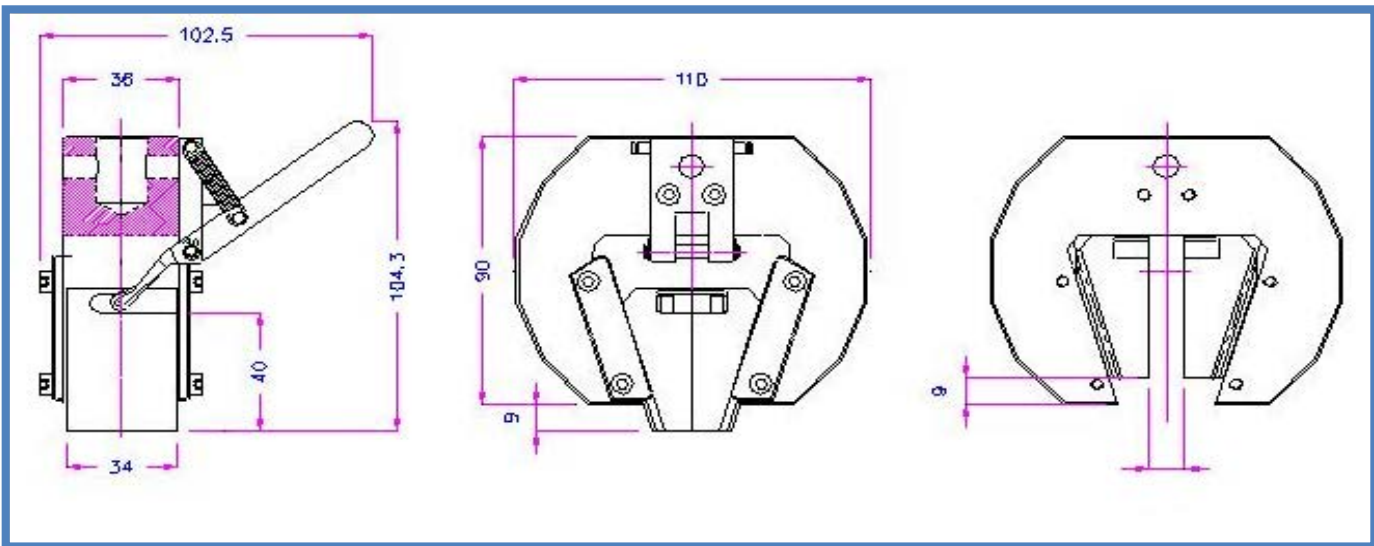
Part Number	Description	Weight	Rating	Fixing
01/4650	Wedge grip, lever actuated without faces	1.83kg	10kN	5/8 inch

Face options

Part Number	Description	Opening	Quantity	Rating
01/4651	34mm x 40mm Crosscut Jaws	0-9mm	Set of 4	10kN
01/4774	V-Notch faces, clamping height 40mm	3-9mm	Set of 4	10kN



01/4650



Wedge Grips

Self Tightening wedge action grips

A range of wedge action grips for general tension testing of metals and plastic. The wedge design of the grip means the grip tightens on the sample as the force increases, initial force can be applied by various methods such as side lever, capstan action wheel or screw action. Faces are interchangeable for different samples types and dimensions.

Steel, manganese phosphate coated
Temperature range 0 – to +130° C
Steel, Nickel Plated
Temperature range -70 – to +280° C

Part Number	Description	Weight	Rating	Fixing
01/4652	Wedge grip without faces	3.8kg	20kN	5/8 inch
01/4653	Wedge grip without faces, extended temperature range	3.8kg	20kN	5/8 inch
01/4654	Wedge grip without faces	6.75kg	50kN	1 ¼ inch
01/4655	Wedge grip without faces, extended temperature range	6.75kg	50kN	1 ¼ inch

Face options

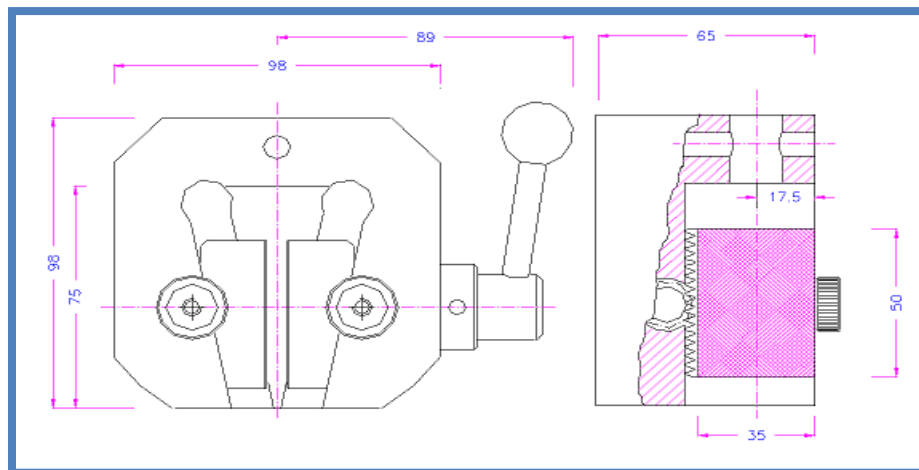
Part Number	Description	Opening	Quantity	Rating
01/4656	50mm x 35mm crosscut jaw faces	0-13mm	Set of 4	20kN
01/4657	50mm x 35mm crosscut jaw faces	4-16mm	Set of 4	20kN
01/4658	V-Notch faces, 50mm long, 3mm to 13mm Ø samples	3-13mm	Set of 4	50kN
01/4659	V-Notch faces, 50mm long, 4mm to 16mm Ø samples	4-16mm	Set of 4	50kN



01/4652



01/4653



Wedge Grips

Self Tightening wedge action grips

A range of wedge action grips for general tension testing of metals and plastic. The wedge design of the grip means the grip tightens on the sample as the force increases, initial force can be applied by various methods such as side lever, capstan action wheel or screw action. Faces are interchangeable for different samples types and dimensions.

Steel, manganese phosphate coated
Temperature range 0 – to +130° C

Part Number	Description	Weight	Rating	Fixing
01/4660	Wedge grip without faces	11kg	50kN	1 ¼ inch
01/4661	Motorised wedge grip without faces	12.5kg	50kN	1 ¼ inch

Face options

Part Number	Description	Quantity	Rating
01/4662	Carrier insert for insert jaw sets	Set of 4	50kN
01/4663	Crosscut faces for samples 0mm to 17mm thick	Set of 4	50kN
01/4664	Crosscut faces for samples 3mm to 21mm thick	Set of 4	50kN
01/4665	Crosscut faces for samples 8mm to 26mm thick	Set of 4	50kN
01/4666	V-Notch faces for samples 4mm to 17mm diameter	Set of 4	50kN
01/4667	V-Notch faces for samples 8mm to 21mm diameter	Set of 4	50kN
01/4668	V-Notch faces for samples 13mm to 26mm diameter	Set of 4	50kN
01/4669	Diamond coated faces for samples 0mm to 17mm thick	Set of 4	50kN
01/4670	Diamond coated faces for samples 3mm to 21mm thick	Set of 4	50kN
01/4671	Crosscut coated faces for samples 8mm to 26mm thick	Set of 4	50kN
01/4672	Crosscut faces for samples 0mm to 20mm thick	Set of 4	50kN
01/4673	Crosscut faces for samples 10mm to 30mm thick	Set of 4	50kN
01/4674	Crosscut faces for samples 20mm to 40mm thick	Set of 4	50kN
01/4675	V-Notch faces for samples 4mm to 20mm diameter	Set of 4	50kN
01/4676	V-Notch faces for samples 12mm to 30mm diameter	Set of 4	50kN
01/4677	V-Notch faces for samples 24mm to 40mm diameter	Set of 4	50kN



01/4660



01/4661

Wedge Grips

Self Tightening wedge action grips

A range of wedge action grips for general tension testing of metals and plastic. The wedge design of the grip means the grip tightens on the sample as the force increases, initial force can be applied by various methods such as side lever, capstan action wheel or screw action. Faces are interchangeable for different samples types and dimensions.

Steel, manganese phosphate coated
Temperature range 0 – to +130° C

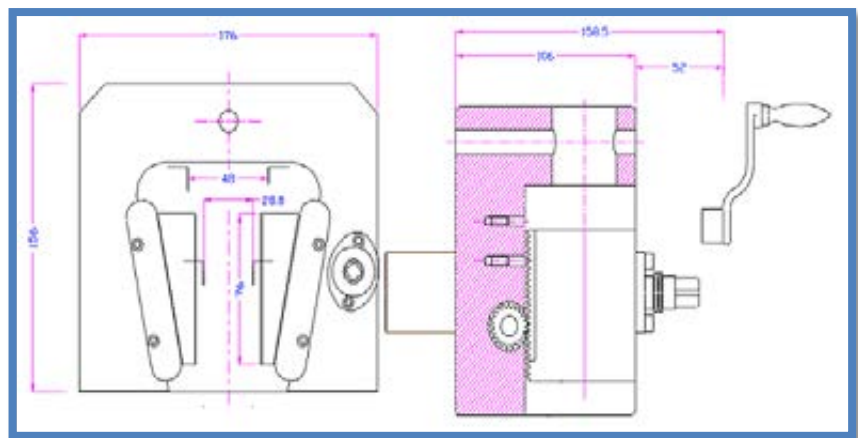
Part Number	Description	Weight	Rating	Fixing
01/4678	Wedge grip without faces for sample up to 50mm x 50mm	24kg	50kN	1 ¼ inch

Face options

Part Number	Description	Quantity	Rating
01/4679	Carrier insert for insert jaw sets	Set of 4	50kN
01/4680	Crosscut inserts for samples 0mm to 20mm thick	Set of 4	50kN
01/4681	Crosscut inserts for samples 10mm to 30mm thick	Set of 4	50kN
01/4682	Crosscut inserts for samples 20mm to 40mm thick	Set of 4	50kN
01/4683	Crosscut inserts for samples 28mm to 48mm thick	Set of 4	50kN
01/4684	V-Notch inserts for samples 6mm to 20mm diameter	Set of 4	50kN
01/4685	V-Notch inserts for samples 16mm to 30mm diameter	Set of 4	50kN
01/4686	V-Notch inserts for samples 26mm to 40mm diameter	Set of 4	50kN
01/4687	76mm x60mm crosscut faces for samples 0mm to 20mm diameter	Set of 4	50kN
01/4688	76mm x60mm crosscut faces for samples 20mm to 40mm diameter	Set of 4	50kN
01/4689	76mm x60mm crosscut faces for samples 40mm to 60mm diameter	Set of 4	50kN
01/4690	V-Notch faces for samples 6mm to 20mm diameter	Set of 4	50kN
01/4691	V-Notch faces for samples 16mm to 30mm diameter	Set of 4	50kN
01/4692	V-Notch faces for samples 26mm to 40mm diameter	Set of 4	50kN
01/4693	V-Notch faces for samples 36mm to 50mm diameter	Set of 4	50kN



01/4678



Wedge Grips

Screw tightening wedge action grips

A range of wedge action grips for general tension testing of metals and plastic. The wedge design of the grip means the grip tightens on the sample as the force increases, initial force can be applied by various methods such as side lever, capstan action wheel or screw action. Faces are interchangeable for different samples types and dimensions.

Steel, manganese phosphate coated
Temperature range 0 – to +130° C

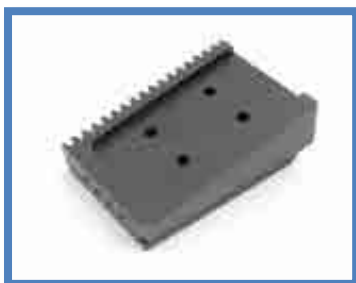
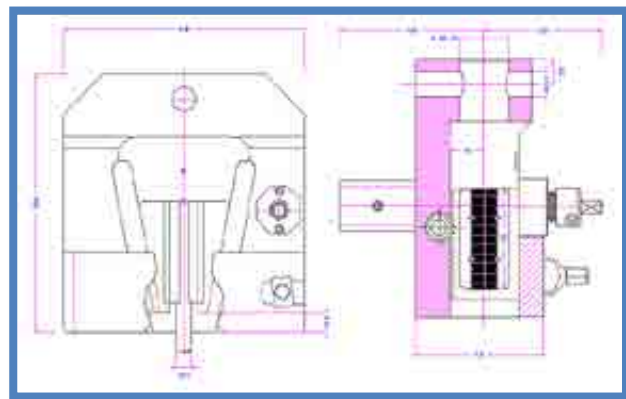
Part Number	Description	Weight	Rating	Fixing
01/4694	Wedge grip without faces	30kg	100kN	1 ¼ inch
01/4695	Wedge grip without faces	32kg	150kN	1 ¼ inch

Face options

Part Number	Description	Opening	Quantity	Rating
01/4696	60mm x 110mm crosscut jaw faces	0-30mm	Set of 4	150kN
01/4697	60mm x 110mm crosscut jaw faces	26-50mm	Set of 4	150kN
01/4698	V-Notch faces for 6mm to 30mm diameter samples	6-30mm	Set of 4	150kN
01/4699	V-Notch faces for 30mm to 50mm diameter samples	30-50mm	Set of 4	150kN
01/4700	Carrier insert for insert jaw sets	N/A	Set of 4	150kN
01/4701	100mm x 50mm, crosscut inserts for 01/4700	0-30mm	Set of 4	150kN
01/4702	100mm x 50mm, crosscut inserts for 01/4700	4-34mm	Set of 4	150kN
01/4703	100mm x 50mm, crosscut inserts for 01/4700	10-40mm	Set of 4	150kN
01/4704	100mm x 50mm, crosscut inserts for 01/4700	20-50mm	Set of 4	150kN
01/4705	V-Notch faces for 6mm to 34mm diameter samples	N/A	Set of 4	150kN
01/4706	V-Notch faces for 12mm to 40mm diameter samples	N/A	Set of 4	150kN
01/4707	V-Notch faces for 16mm to 44mm diameter samples	N/A	Set of 4	150kN



01/4694



Wedge Grips

Capstan action wedge action grips

A range of capstan action wedge action grips for general tension testing of metals and plastic. The wedge design of the grip means the grip tightens on the sample as the force increases, initial force can be applied by various methods such as side lever, capstan action wheel or screw action. Faces are interchangeable for different samples types and dimensions.

Steel, manganese phosphate coated
Temperature range 0 – to +130° C

Part Number	Description	Weight	Rating	Fixing
01/4708	Capstan action wedge grip without faces	30kg	20kN	5/8 inch
01/4711	Capstan action wedge grip without faces	32kg	50kN	1 ¼ inch
01/4714	Capstan action wedge grip without faces	34kg	100kN	1 ¼ inch

Face options

Part Number	Description	Opening	Quantity	Rating
01/4709	40mm x 52mm crosscut faces for 01/4708	0-10mm	Set of 4	20kN
01/4710	V-Notch faces, 3mm to 10mm Ø samples for 01/4708	N/A	Set of 4	20kN
01/4712	66mm x 80mm crosscut faces for 01/4711	0-17mm	Set of 4	50kN
01/4713	V-Notch faces, 4mm to 17mm Ø samples for 01/4711	N/A	Set of 4	50kN
01/4715	96mm x 100mm crosscut faces for 01/4714	0-16mm	Set of 4	100kN
01/4716	V-Notch faces, 4mm to 16mm Ø samples for 01/4714	N/A	Set of 4	100kN



01/4708

